



***SID - Self Indicating
Dynamometer***

- | | |
|---|---|
|  Operating instructions |  Руководство по эксплуатации |
|  Mode d'emploi |  οδηγίες χειρισμού |
|  Bedienungsanleitung |  Brukerinstruksjoner |
|  Manual de instrucciones |  Bruksanvisning |
|  Istruzioni per l'uso |  普通话 操作说明 |
|  Gebruikersinstructies |  العربية تعليمات التشغيل |

THIS MANUAL WAS WRITTEN IN THE ENGLISH LANGUAGE AND PROFESSIONALLY TRANSLATED TO ALL OTHER LANGUAGES CONTAINED WITHIN THIS DOCUMENT. PLEASE NOTE THAT STRAIGHTPOINT ACCEPT NO RESPONSIBILITY FOR ANY ERRORS OR OMISSIONS.

EU DECLARATION OF CONFORMITY

Product: Self-indicating Dynamometer SID6T5

Product Description: Dynamometer Designed to replace outdated mechanical products still in the field. Works with loads up to 14,300 lbs (6500 Kg).

Integral large 25mm (1 inch) LCD display. High resolution 5000 divisions.

Constructed from high-quality aerospace grade aluminium that provides a high strength to weight ratio, and allows the use of a separate internal sealed enclosure for the load cell's electronic components, rated to IP65 or NEMA4X environmental.

Rigged using industry standard shackles such as Crosby G2130, this dynamometer has been designed to minimise headroom (6.14" or 156mm from eye to eye). With a safety factor of over 500%, its compact lightweight design does not sacrifice on strength.



Marking:

Manufacturer: Straightpoint (UK) Limited,
123 Proxima Park
Houghton Avenue
Waterlooville
Hampshire
PO7 3DU, United Kingdom

This conformity is based upon compliance with the application of harmonized or applicable technical standards and, where applicable or required, a European Union Notified Body certification.

Directives: The described product above, is in conformity with:
EU Machinery Directive 2006/42/EC;
EU EMC Directive 2014/30/EU
EU RoHS 2011/65/EU

Applicable Harmonised Standards **EU Machinery Directive 2006/42/EC**
EN ISO 12100:2010 Safety of machinery - General principles for design – Risk assessment and risk reduction.

EMC Directive
BS EN 55011:2016+A11:2020 Industrial, scientific and medical equipment. Radio-frequency disturbance characteristics. Limits and methods of measurement;
EN 61326-1 Electrical equipment for measurement, control and laboratory use, EMC requirements, Part 1, General Requirements;
EN 61000-6-1 – Electromagnetic compatibility (EMC), Part 6.1, Generic Standards Immunity for residential, commercial and light industrial environments.

RoHS
EN IEC 63000:2018 Technical documentation for the assessment of electrical and electronic products with respect to the restriction of hazardous substances.

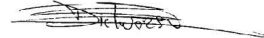
Notified Body: Self-declared

Quality Management: ISO 9001:2015 Quality Management Systems Requirements: BSI Certificate No. FM 584438

Straightpoint (UK) Limited declare that under our sole responsibility for the manufacture and supply of the product detailed above, that it conforms to the essential health and safety requirements of the listed applicable Directives and applicable harmonised technical Standards.

EU Authorised Representative: CROSBY EUROPE
Industriepark Zone B N°26
B-2220 Heist-op-den-Berg
Belgium

Signed, on behalf of Authorised Representative:



Name: Thomas Dietvorst
Position: General Manager
Date: 17th June 2024

DECLARATION OF CONFORMITY

Product: Self-indicating Dynamometer SID6T5

Product Description: Dynamometer Designed to replace outdated mechanical products still in the field. Works with loads up to 14,300 lbs (6500 Kg).

Integral large 25mm (1 inch) LCD display. High resolution 5000 divisions.

Constructed from high-quality aerospace grade aluminium that provides a high strength to weight ratio, and allows the use of a separate internal sealed enclosure for the load cell's electronic components, rated to IP65 or NEMA4X environmental.

Rigged using industry standard shackles such as Crosby G2130, this dynamometer has been designed to minimise headroom (6.14" or 156mm from eye to eye). With a safety factor of over 500 %, its compact lightweight design does not sacrifice on strength.

Marking:

Manufacturer: Straightpoint (UK) Limited,
123 Proxima Park
Houghton Avenue
Waterloooville
Hampshire
PO7 3DU, United Kingdom



This conformity is based upon compliance with the application of UK Statutory Instruments (and their amendments) and/or applicable technical standards; and, where applicable, or required, UK Notified Body certification.

UK Regulations: The described product above, is in conformity with:
The Supply of Machinery (Safety) Regulations 2008;
The Electromagnetic Compatibility Regulations 2016;
The RoHS Regulations 2012.

Applicable Designated Standards: **The Supply of Machinery (Safety) Regulations 2008**
EN ISO 12100:2010 Safety of machinery - General principles for design – Risk assessment and risk reduction.

The Electromagnetic Compatibility Regulations 2016
BS EN 55011:2016+A11:2020 Industrial, scientific and medical equipment. Radio-frequency disturbance characteristics. Limits and methods of measurement;
EN 61326-1:2013 Electrical equipment for measurement, control and laboratory use, EMC requirements, Part 1, General Requirements;
EN 61000-6-1:2019 – Electromagnetic compatibility (EMC), Part 6.1, Generic Standards Immunity for residential, commercial and light industrial environments.

The RoHS Regulations 2012
EN IEC 63000:2018 Technical documentation for the assessment of electrical and electronic products with respect to the restriction of hazardous substances.

UK Notified Body: Self-declared.

Quality Management: ISO 9001:2015 Quality Management Systems Requirements: BST Certificate No. FM 584438

Straightpoint (UK) Limited declare that under our sole responsibility for the manufacture and supply of the product detailed above, that it conforms to the essential health and safety requirements of the listed applicable UK Regulations and applicable designated technical Standards.

Technical Documentation Available From: Straightpoint (UK) Limited,
123 Proxima Park
Houghton Avenue
Waterloooville
Hampshire
PO7 3DU, United Kingdom

Signed, on behalf of Straightpoint (UK) Limited:

Name: Thomas Dietvorst
Position: General Manager
Date: June 17th 2024

| | |
|----------------------------------|-------|
| General description and warnings | 02-04 |
| SID fitting batteries | 05-06 |
| SID shackle usage | 07-08 |
| SID keypad and annunciators | 09-11 |
| SID annunciators | 12 |
| SID measuring a load | 13 |
| SID preset tare | 14 |
| SID user configurable settings | 15 |
| SID optional slave display | 16 |
| Product aftercare | 17-18 |
| Service and calibration | 19 |
| Warranty | 20 |
| Notes | 21 |



All products manufactured and sold by Straightpoint Ltd, are sold with the express understanding that the purchaser and user are thoroughly familiar with the safe use, proper care and application of the product.
 Responsibility for the safe use, proper care and application of the product rests with the user.
 Failure of the product can occur due to misapplication, abuse, overloading, or improper care and maintenance.
 There are numerous government and industry standards that cover products manufactured and sold by Straightpoint Ltd. This document makes no attempt to reference all of them. We do reference standards that are most current like ASME B30.26-2010 "detachable load indicating devices."
 Ratings shown in Straightpoint Ltd literature are only applicable to new or "as new condition" products.
 Rated capacities define the greatest force or load a product can carry under usual or normal environmental conditions. Shock loading and extraordinary conditions must be taken into account when selecting products and product capacity.
 Some of the products in the Straightpoint Ltd catalogues are designed for use with rigging hardware and components which could be supplied from several different manufacturers. It is crucial that you read and understand the literature from these manufacturers, as well as governmental standards and industry technical manuals.
 The rated capacity, design factor and efficiency rating of each Straightpoint Ltd product may be affected by wear, misuse, overloading, corrosion, deformation, intentional alteration, age and other use conditions.
 The recommended proof load on all items manufactured and sold by Straightpoint Ltd is twice the working load limit (WLL), unless otherwise shown. Proof testing is included on all Straightpoint Ltd load indicating products.



Tous les produits fabriqués et vendus par Straightpoint Ltd sont vendus à la condition expresse que l'acheteur et l'utilisateur soient parfaitement familiarisés avec l'utilisation sécuritaire, les soins appropriés et l'application du produit. La responsabilité de l'utilisation sécuritaire, des soins appropriés et de l'application du produit incombe à l'utilisateur. Une défaillance du produit peut être due à une mauvaise utilisation, un abus, une surcharge ou à un mauvais entretien ou maintenance. Il existe de nombreuses normes gouvernementales et industrielles qui couvrent les produits fabriqués et vendus par Straightpoint Ltd. Ce document ne fait pas référence à l'ensemble d'entre elles. Nous référons aux normes de référence qui sont les plus courantes comme ASME B30.26-2010 "appareil indiquant une charge."
 Les notes indiquées dans les documentations émises par Straightpoint Ltd sont seulement applicables aux nouveaux produits ou en tant que nouvelle condition. Les capacités nominales définissent la force ou charge maximale que le produit peut supporter dans des conditions d'utilisation environnementales normales. Tout risque de secousse au chargement ou toute condition d'utilisation extraordinaire doivent être pris en compte lors de la sélection des produits et de la capacité du produit. Certains produits des catalogues Straightpoint Ltd catalogues sont conçus pour une utilisation avec des accessoires de montage et des composants qui pourraient être fournis par différents fabricants. Il est essentiel que vous lisiez et compreniez la documentation de ces fabricants, ainsi que des normes gouvernementales et les manuels techniques de l'industrie.
 La capacité nominale, la conception et l'efficacité des facteurs de chaque produit fourni par Ltd Straightpoint, pourraient être affectées par l'usure, la mauvaise utilisation, surcharge, corrosion, déformation, altération intentionnelle, l'âge et autres conditions d'utilisation. La charge d'épreuve recommandée pour tous les articles fabriqués et vendus par Straightpoint Ltd est le double de la charge maximale d'utilisation (CMU), sauf indication contraire. La charge d'épreuve se retrouve sur tous les produits de la gamme Straightpoint Ltd.



Alle durch Straightpoint Ltd hergestellten und vertriebenen Produkte werden in dem ausdrücklichen Verständnis verkauft, dass Käufer und Nutzer vollständig mit der sicheren Nutzung als auch der sachgemäßen Behandlung und Anwendung des Produktes vertraut sind. Die Verantwortung für die sichere Nutzung als auch die sachgemäße Behandlung und Anwendung des Produktes liegt bei dem Nutzer.
 Als Folge von unsachgemäßer Anwendung, Behandlung und Instandhaltung oder Überbelastung kann Produktversagen auftreten. Es gibt zahlreiche staatliche- und Industrienormen, die durch Straightpoint Ltd hergestellte und vertriebene Produkte betreffen. In diesem Dokument wird nicht der Versuch unternommen, auf jede dieser Normen zu verweisen, lediglich die gängigsten wie ASME B30.26-2010 „abnehmbare Geräte zur Lastanzeige“ werden erwähnt. In Prospekten von Straightpoint Ltd angegebene Leistungsangaben gelten nur für neue oder „im Neuzustand befindliche“ Produkte.
 Die Tragfähigkeit bestimmt die maximale Belastung eines Produktes unter normalen Umgebungsbedingungen. Bei der Auswahl der Produkte und ihrer Belastbarkeit sind Schockbelastung und außergewöhnliche Umstände zu berücksichtigen.
 Einige der Produkte in den Katalogen von Straightpoint Ltd sind für die Nutzung mit Spannungsequipment- und elementen entwickelt, die von mehreren verschiedenen Herstellern bereitgestellt sein könnten. Es ist äußerst wichtig, dass sie die Anleitungen dieser Hersteller lesen und verstehen, ebenso wie die entsprechenden staatliche Normen und technischen Handbücher.
 Die Tragfähigkeit, der Berechnungsbeiwert und der Gütegrad eines jeden Produktes von Straightpoint Ltd können durch Verschleiß, falsche Anwendung, Überbelastung, Korrosion, Verformung, absichtliche Umänderung, Lebensdauer und andere Anwendungsumstände beeinflusst werden.
 Die empfohlene Prüflast für alle von Straightpoint Ltd hergestellten und vertriebenen Posten entspricht dem Doppelten der zulässigen Tragfähigkeit, sofern nicht anders ausgewiesen. Bei allen Lastanzeige-Produkten von Straightpoint Ltd sind Prüftests inbegriffen.



Todos los productos que fabrica y vende Straightpoint Ltd se venden sabiendo explícitamente que el comprador y el usuario son plenamente conscientes de utilizar el producto de forma segura, cuidarlo y emplearlo.

El usuario es responsable de utilizarlo de forma segura, cuidarlo y emplearlo.

El mal funcionamiento del producto puede deberse a un uso indebido, abuso, sobrecarga, o cuidado y mantenimiento inadecuados. Hay múltiples estándares gubernamentales e industriales que incluyen los productos que fabrica y vende Straightpoint Ltd. En este documento no se pretende citar todos ellos. Si citamos estándares muy actuales como el ASME B30.26-2010 "dispositivos indicadores de carga desmontables."

Las valoraciones que aparecen en las publicaciones de Straightpoint Ltd solo se aplican a productos nuevos o "como nuevos".

Las capacidades valoradas definen la fuerza mayor o la carga que un producto puede soportar en condiciones ambientales normales. Se deben tener en cuenta las cargas de choque y las condiciones extraordinarias al seleccionar los productos y la capacidad de los mismos.

Algunos de los productos de los catálogos de Straightpoint Ltd están diseñados para su uso con hardware adicional y componentes que pueden facilitar distintos fabricantes. Es fundamental que lea y entienda las publicaciones de estos fabricantes, así como los estándares gubernamentales y los manuales técnicos de la industria.

La capacidad valorada, el diseño y el índice de eficiencia de los productos de Straightpoint Ltd puede verse afectado por el desgaste, un uso indebido, una sobrecarga, la corrosión, una deformación, una alteración intencionada, la edad y otras condiciones de uso.

La carga de prueba recomendada en todos los productos que fabrica y vende Straightpoint Ltd es dos veces el límite de carga de trabajo (WLL, según sus siglas en inglés) a menos que se indique lo contrario. Los ensayos están incluidos en todos los productos indicadores de carga de Straightpoint Ltd.



Tutti i prodotti fabbricati e venduti da Straightpoint Ltd, sono venduti con la condizione espressa che l'acquirente e l'utilizzatore abbiano molta familiarità con l'uso sicuro, la cura e l'applicazione del prodotto.

La responsabilità per l'uso sicuro, la cura e l'applicazione del prodotto spetta all'utente.

Problemi al prodotto possono verificarsi a causa di cattiva applicazione, abuso, sovraccarico, o mancanza di cura e manutenzione.

Numerose sono le norme governative e di settore che coprono i prodotti fabbricati e venduti da Straightpoint Ltd. Il presente documento non fa riferimento a tutte le suddette; facciamo riferimento a standard più attuali come ASME B30.26-2010 "dispositivi che indicano carico removibile."

Valutazioni riportate relative a Straightpoint Ltd sono solo applicabili ai prodotti nuovi o in condizioni "come nuovi".

Le capacità riportate definiscono la forza o il carico più grande che un prodotto può trasportare in condizioni ambientali normali o solite.

Condizioni straordinarie di carico devono essere prese in considerazione nel selezionare prodotti e capacità del prodotto.

Alcuni dei prodotti nei cataloghi Straightpoint Ltd sono progettati per l'uso per mezzo di accessori e componenti che potrebbero essere forniti da diversi produttori diversi. È fondamentale leggere e comprendere la documentazione di questi produttori, così come le norme governative ed i manuali tecnici del settore.

La valutazione della capacità nominale, fattore di sicurezza e di efficienza di ogni prodotto Straightpoint Ltd può essere influenzata da usura, uso improprio, sovraccarico, corrosione, deformazione, modifiche intenzionali, età e altre condizioni di utilizzo. Il carico di prova consigliato su tutti gli articoli prodotti e venduti da Straightpoint Ltd è il doppio del limite di carico di lavoro (WLL), se non diversamente indicato. Il test di prova è incluso su tutti i prodotti Straightpoint Ltd che indicano carico.



Alle producten die door Straightpoint Ltd zijn geproduceerd en verkocht, worden met het uitdrukkelijke begrip verkocht dat de koper en gebruiker zeer vertrouwd zijn met veilig gebruik, goede zorg en toepassing van het product. De verantwoordelijkheid voor veilig gebruik, goede zorg en toepassing van het product ligt bij de gebruiker.

Defecten van het product kunnen worden veroorzaakt door een verkeerde toepassing, misbruik, overbelasting of onjuiste zorg en onderhoud van het product.

Er zijn verschillende maatstaven van overheidswege en uit de industrie die betrekking hebben op producten geproduceerd en verkocht door Straightpoint Ltd. Dit document bevat geen verwijzing naar al deze maatstaven. We verwijzen naar maatstaven die het meest van toepassing zijn, zoals de ASME B30.26-2010 "afneembare belasting aanwijsapparatuur". Kwalificaties als aangegeven in naslagwerken van Straightpoint Ltd of Straightpoint Inc. zijn slechts van toepassing op nieuwe producten of producten die "zo goed als nieuw" zijn.

Nominale capaciteiten bepalen de grootste kracht of lasten die dit product kan dragen onder gebruikelijke of normale omgevingsomstandigheden. U dient tijdens het selecteren van producten en productcapaciteit rekening te houden met schokbelasting en buitengewone omstandigheden.

Enkele producten uit de catalogi van Straightpoint Ltd zijn ontworpen voor gebruik met tuigageapparatuur en –onderdelen, welke door verschillende producenten geleverd kunnen worden. Het is van cruciaal belang om de naslagwerken van deze producenten goed door te lezen en te begrijpen, evenals alle maatstaven van overheidswege en technische handleidingen uit de industrie.

De nominale capaciteit, ontwerpfactor en efficiëntie van elk product van Straightpoint Ltd kan worden beïnvloed door slijtage, misbruik, overbelasting, corrosie, misvorming, bewuste aanpassing, levensduur en andere gebruiksomstandigheden.

De aanbevolen proeflast voor alle artikelen geproduceerd en verkocht door Straightpoint Ltd is tweemaal de drempelwaarde voor de werklust (WLL), tenzij anderszins aangegeven. De proeflast is inbegrepen bij alle lastweegtoestellen van Straightpoint Ltd.



Вся продукция компаний Straightpoint Ltd продается с учетом того, что покупатель и пользователь хорошо знакомы с правилами безопасной эксплуатации и правильного ухода. Ответственность за безопасную эксплуатацию и надлежащий уход за приобретенными изделиями возлагается на пользователя.

Поломка изделия может произойти вследствие его неправильной эксплуатации, перегрузки или неправильного ухода и обслуживания.

Продукция компаний Straightpoint Ltd изготовлена в соответствии с множеством государственных и промышленных стандартов. В настоящем документе имеются ссылки только на некоторые (наиболее актуальные) из них, например: ASME B30.26-2010 «съемные устройства для взвешивания».

Характеристики, приведенные в документации компаний Straightpoint Ltd, применимы только к новым изделиям или изделиям, по состоянию сопоставимым с новыми.

Номинальная грузоподъемность представляет собой наибольшую силу или нагрузку, которую может выдержать изделие в обычных или нормальных условиях. При выборе изделий и их производительности следует учитывать возможные ударные нагрузки и чрезвычайные условия.

Некоторые из изделий в каталогах компаний Straightpoint Ltd предназначены для использования на такежном оборудовании и элементах, которые могут поставаться различными производителями. Очень важно прочитать и понять содержание документации к такому оборудованию, а также государственных стандартов и технических руководств для промышленного оборудования.

На номинальную грузоподъемность, расчетный коэффициент и показатель эффективности каждого изделия компаний Straightpoint Ltd может воздействовать износ, неправильное использование, перегрузки, коррозия, деформация, преднамеренная модификация, старение и другие условия эксплуатации.

Рекомендуемая допустимая нагрузка на все изделия компаний Straightpoint Ltd в два раза превышает предельно допустимую нагрузку (ГДН), если не указано иное. Все изделия Straightpoint Ltd для взвешивания прошли контрольные испытания.



Όλα τα προϊόντα που κατασκευάζονται και πωλούνται από τις Straightpoint Ltd, πωλούνται με τη ρητή επιφύλαξη ότι ο αγοραστής και ο χρήστης είναι πλήρως εξοικειωμένοι με την ασφαλή χρήση, την κατάλληλη φροντίδα και την εφαρμογή του προϊόντος.

Η ευθύνη για την ασφαλή χρήση, την κατάλληλη φροντίδα και την εφαρμογή του προϊόντος επιβαρύνει το χρήστη.

Αποτυχία του προϊόντος μπορεί να οφείλεται στην κακή εφαρμογή, κακοποίηση, υπερφόρτωση ή ακατάλληλη φροντίδα και συντήρηση.

Υπάρχουν πολλά κυβερνητικά και βιομηχανικά πρότυπα που καλύπτουν τα προϊόντα που κατασκευάζονται και πωλούνται από τις Straightpoint Ltd. Το παρόν έγγραφο δεν κάνει καμία προσπάθεια να τα αναφέρει όλα. Γίνεται αναφορά στα πλέον πρόσφατα πρότυπα, όπως το ASME B30.26-2010 "συσκευές ένδειξης αποσπώμενου φορτίου".

Βαθμολογίες που παρουσιάζονται στη βιβλιογραφία των Straightpoint Ltd, ισχύουν μόνο για νέα προϊόντα ή προϊόντα «σαν καινούρια». Οι ονομαστικές ικανότητες καθορίζουν τη μεγαλύτερη δύναμη ή φορτίο που μπορεί να μεταφέρει ένα προϊόν υπό συνθήκες ή κανονικές περιβαλλοντικές συνθήκες. Πρέπει να λαμβάνονται υπόψη περιπτώσεις υπερβολικού φορτίου και εξαιρετικών συνθηκών κατά την επιλογή προϊόντων και χωρητικότητας προϊόντων.

Ορισμένα από τα προϊόντα στους καταλόγους των Straightpoint Ltd είναι σχεδιασμένα για χρήση με εξοπλισμό εξάρτησης και συστατικά που μπορεί να προσφέρονται από διάφορους άλλους κατασκευαστές. Είναι σημαντικό να διαβάσετε και κατανοήσετε τη βιβλιογραφία που προσφέρουν αυτοί οι κατασκευαστές, καθώς και τα κυβερνητικά πρότυπα και βιομηχανικά τεχνικά χειρίδια.

Η ονομαστική χωρητικότητα, ο συντελεστής σχεδιασμού και η ονομαστική τιμή αποτελεσματικότητας κάθε προϊόντων των Straightpoint Ltd μπορεί να επηρεαστούν από παράγοντες όπως φόρα, κακή χρήση, υπερφόρτωση, διάβρωση, παραμόρφωση, εκκενρή αλλοίωση, ηλικία και άλλες συνθήκες χρήσης.

Το συνιστάμενο φορτίο απόδειξης για όλα τα στοιχεία που κατασκευάζονται και πωλούνται από τις Straightpoint Ltd είναι διπλάσιο του ορίου φορτίου εργασίας (WLL), εκτός αν ορίζεται διαφορετικά. Αποτελέσματα δοκιμαστικού ελέγχου περιλαμβάνονται σε όλα τα προϊόντα ένδειξης φορτίου των Straightpoint Ltd.



Alle produkter produceret og solgt af Straightpoint Ltd, er solgt med den utrykkelige forståelsen at køberen og brugeren er godt kjennt med trygg bruk, riktig behandling og bruk av produktet.

Ansvar for trygg bruk, riktig behandling og bruk av produktet hviler på brukeren.

Produktsvikt kan oppstå på grunn av misbruk, feilaktig bruk, overbelastning, eller feilaktig behandling og vedlikehold.

Det finnes flertallige statlige og industristandarder som dekker produkter produsert og solgt av Straightpoint Ltd. Dette dokumentet har ikke som hensikt å henvisе til dem alle. Vi henviser til standarder som er mest oppdaterte slik som ASME B30.26-2010 "avtakbar last indiserende utstyr."

Klassifiseringer vist i Straightpoint Ltd litteratur gjelder kun nye eller produkter i "som ny tilstand".

Klassifiserte kapasiteter definerer det største trykket eller belastningen et produkt kan bære under vanlige eller normale miljømessige betingelser. Slagbelastning eller ekstraordinære betingelser må tas i betraktning ved valg av produkter og produktkapasitet.

Noen av produktene i Straightpoint Ltd katalogene er designet for bruk med rigging hardware og komponenter som kan leveres fra flere forskjellige produsenter. Det er viktig at du leser og forstår litteraturen fra disse produsentene, så vel som statlige standarder og industritekniske håndbøker.

Den klassifiserte kapasiteten, designfaktoren og effektivitetsgraden av hvert Straightpoint Ltd produkt kan være påvirket av slitasje, misbruk, overbelastning, korrosjon, deforming, tilstikket alterasjon, alder og andre bruksbetingelser.

Den anbefalte prøvbelastningen på alle elementene produsert og solgt av Straightpoint Ltd, er to ganger arbeidsbelastningsgrensen (WLL) (ABG), om ikke annet er vist. Prøvebelastning er inkludert på alle Straightpoint Ltd lastindiserende produkter.



Alla produkter som tillverkas och säljs av Straightpoint Ltd säljs med uttryckliga hänvisningar om att köparen och användaren har god kännedom om säker användning, skötsel och tillämpningen av produkten. För säker användning, skötsel och tillämpningen av produkten ansvarar användaren.

Felaktig användning, missbruk, överbelastning eller felaktig skötsel och underhåll kan leda till att produkten fördäras.

Det finns många statliga standarder och branschstandarder som omfattar produkterna som tillverkas och säljs av Straightpoint Ltd. Detta dokument försöker inte referera till dem alla. Vi refererar till den lämpligaste standarden ASME B30.26-2010 för "löstagbara och belastningsindikerande enheter". Värderna som anges i litteratur från Straightpoint Ltd gäller endast nya produkter eller produkter i "nyskick".

Den nominella kapaciteten definierar den största kraften eller lasten en produkt kan bära under vanliga och normala miljöförhållanden. Chockbelastning och exceptionella förhållanden måste beaktas vid val av produkter och produktkapacitet.

Några av produkterna som visas i katalogerna från Straightpoint Ltd är utformade för användning med rigghårdvara och komponenter som kan levereras från flera olika tillverkare. Det är viktigt att du läser och förstår litteraturen från dessa tillverkare samt statliga standarder och industritekhniska handböcker.

Den nominella kapaciteten, utformningsfaktorn och verkningsgraden för varje produkt från Straightpoint Ltd kan påverkas av slitage, missbruk, överbelastning, korrosion, deformation, avskiligt förändring, ålder och annan användning. Den rekommenderade provbelastningen på alla enheter som tillverkas och säljs av Straightpoint Ltd är dubbelt så stor som den maximala arbetslasten, om inte annat anges. Provtestning görs på alla belastningsindikerade produkter från Straightpoint Ltd.

普通话

由“速得有限公司”（Straightpoint Ltd）制造和销售的所有产品，销售时都要求明确确认，产品的购买方和使用方完全熟悉产品的安全使用、恰当维护及正确应用。产品使用方有责任安全使用、恰当维护和正确应用本产品。

不恰当地应用、滥用、超负荷使用产品，或者产品的维护保养方式不正确，都有可能导导致产品功能失效。

速得有限公司制造和销售的产品所适用的政府和行业标准虽然很多，但本使用手册只引用了那些最新的规范和标准（如美国机械工程师协会 ASME B30.26-2010 可拆卸式负荷指示设备标准），并未参照所有这些相关标准。

速得有限公司的产品手册和资料中列出的设备额定载荷，仅适用于新产品或性能无异于全新状态的已用产品。

额定载荷能力是指在常规或正常环境条件下产品或设备所能承载的最大外力或负荷。在选择产品类型及其载荷能力水平时，必须考虑冲击载荷及一些极端的应用状况。

速得产品目录中的一些产品，在设计上要求与吊索具和辅件等部件配合使用，而这些部件可能由其他制造商生产。因此，客户应当认真阅读并理解这些制造商提供的产品资料以及政府相应标准和行业技术规范。这一点非常重要。

所有速得公司制造和销售的产品，其额定载荷能力、设计系数（安全系数）和效率级别可能会受到诸多因素的影响，包括设备磨损、错误使用、过载、腐蚀、变形、人为构造改变、老化以及其他一些使用状况。

除非另有说明，对于所有由速得公司制造和销售的产品，建议的验证载荷为产品最大工作载荷（WLL）的两（2）倍。速得公司制造的所有负荷指示产品，在出售前都要经过载荷验证测试。

العربية

جميع المنتجات المصنوعة والمباعة من شركتي Straightpoint Ltd. تُباع بفهم واضح بأن المشتري والمستخدم على دراية كبيرة بالاستخدام الآمن للمنتج والعناية الملائمة به وباستعماله.

يحمل المستخدم مسؤولية الاستخدام الآمن والعناية الملائمة والاستعمال.

قد يفسد المنتج بسبب سوء الاستعمال وسوء الاستخدام والحمولة الزائدة والعناية والصيانة غير الملائمتين.

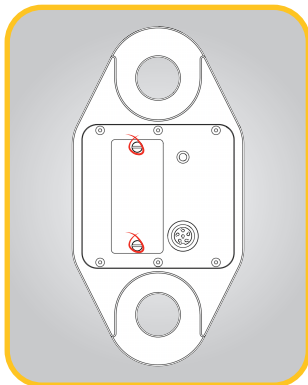
هناك الكثير من المعايير الحكومية والصناعية التي تغطي المنتجات المصنوعة والمباعة من Straightpoint Ltd. لا تسعى هذه الوثيقة على الإطلاق للإشارة إلى جميع هذه المعايير. لكننا نشير إلى المعايير السائدة في الوقت الحالي مثل ASME B30.26-2010 "أجهزة بيان الحمل القابلة للفصل".

تتطبق القيم المشار إليها في مستندات Straightpoint Ltd. على المنتجات الجديدة أو التي هي "بحالة الجديدة". يجب وضع التحميل الجانبي والظروف الاستثنائية في الاعتبار عند السعات المقترحة تحدد أكبر قوة أو حمولة يمكن للمنتج حملها في ظل الظروف البيئية المعتادة أو العادية. يجب وضع التحميل الجانبي والظروف الاستثنائية في الاعتبار عند اختيار المنتج وسعته.

بعض المنتجات المبنية في كتالوجات Straightpoint Ltd مصممة للاستخدام مع معدات ومكونات رفع يمكن الحصول عليها من مصممين مختلفين. من الأهمية بمكان أن تقرأ المستندات الواردة من هؤلاء المصنعين وتفهمها بالإضافة إلى المعايير الحكومية والأدلة الفنية في الصناعة.

قد تتأثر السعة المقترحة وعامل تصميم وتقدير سعة كل منتج من منتجات Straightpoint Ltd. بالبيانات الناتجة عن الاستخدام وسوء الاستعمال والحمولة الزائدة والصدا والتشوه والتغير المتعمد والممر وظروف الاستخدام الأخرى.

يُقدر حمل الصمود الموصى به في كل المنتجات المصنوعة والمباعة من قبل Straightpoint Ltd. بضغف حد حمل العمل ما لم يتم الإشارة إلى خلاف ذلك. خضعت جميع منتجات بيان الحمل التي تنتجها Straightpoint Ltd. لاختبارات الصمود.



Before using the Self Indicating Dynamometer take some time to read this manual and familiarise yourself with it. The Self Indicating Dynamometer is supplied with a single 9v PP3 battery – this needs to be fitted before use. Fit the battery supplied by removing the two cross head screws which retain the battery cover.



Avant d'utiliser Self Indicating Dynamometer, prenez le temps de lire le présent manuel et de vous familiariser avec l'appareil. Self Indicating Dynamometer est fourni avec une pile 9v PP3. Celle-ci nécessite d'être mise en place avant l'utilisation. Mettre en place la pile fournie en dévissant les deux vis cruciformes retenant le couvercle de la pile.



Nehmen Sie sich etwas Zeit, dieses Handbuch zu lesen und sich mit der Thematik vertraut zu machen, bevor Sie den Self Indicating Dynamometer nutzen. Der Self Indicating Dynamometer wird mit einer einzelnen 9V-PP3-Batterie geliefert – diese muss vor der Nutzung eingelegt werden.



Legen Sie die mitgelieferte Batterie ein, nachdem Sie die zwei Kreuzschlitzschrauben entfernt haben, die die Batterieabdeckung fixieren.

Antes de utilizar el Self Indicating Dynamometer, tómese su tiempo para leer este manual y familiarizarse con él. El Self Indicating Dynamometer incluye una pila de 9 voltios PP3, que debe colocarse antes de utilizarse el dispositivo. Coloque la pila que se incluye retirando los dos tornillos de estrella que sujetan la tapa de la pila.



Prima di utilizzare Self Indicating Dynamometer si consiglia di leggere il manuale e familiarizzare con il dispositivo. Self Indicating Dynamometer è dotato di un'unica batteria PP3 a 9v, che deve essere inserita prima dell'uso. Inserire la batteria in dotazione rimuovendo le due viti a croce che tengono chiuso il coperchio del vano della batteria.



Vooraleer de Self Indicating Dynamometer te gebruiken, leest u deze handleiding zorgvuldig door en zorgt u ervoor dat u ermee vertrouwd raakt.



De Self Indicating Dynamometer is voorzien van een enkele 9v PP3 accu - deze dient voor gebruik geplaatst te worden.

Plaats de meegeleverde accu door de twee kruiskopschroeven te verwijderen die het deksel van het accucompartiment op haar plek houden.

Перед использованием Self Indicating Dynamometer внимательно изучите настоящее руководство.

Self Indicating Dynamometer поставляется с одной батареей типа PP3 на 9 В. Ее необходимо установить перед началом работы.



Снимите крышку батарейного отсека, открутив два винта с крестовыми головками, и установите батарею.

Πριν από τη χρήση του Self Indicating Dynamometer αφιερώστε λίγο χρόνο για να διαβάσετε αυτό το εγχειρίδιο και να εξοικειωθείτε με αυτό.

To Self Indicating Dynamometer παρέχεται με μία μπαταρία τύπου 9v PP3 – αυτή πρέπει να τοποθετηθεί πριν από τη χρήση.

Τοποθετήστε τη μπαταρία που παρέχεται αφαιρώντας τις δύο βίδες με κεφαλή σταυρού που συγκρατούν το κάλυμμα της μπαταρίας.



Før du bruker Self Indicating Dynamometer ta deg tid til å lese denne brukerhåndboken og gjør det kjent med den.

Self Indicating Dynamometer er forsynyt med et enkelt 9v PP3 batteri - dette må tilpasses før bruk.

Tilpass batteriet forsynyt ved å fjerne krysshodeskruene som holder på plass batteridekselet.



Innan du använder Self Indicating Dynamometer skall du ta dig tid att läsa den här handboken så att du blir väl förtrogen med den.

Self Indicating Dynamometer levereras med ett enkelt 9 V PP3-batteri som måste sättas in före användning.

Sätt in batteriet genom att ta bort de två krysspårskruvarna som håller batteriskyddet på plats.



使用 Self Indicating Dynamometer 前，请花一些时间详细阅读本手册，熟悉其中的具体说明和要求。

Self Indicating Dynamometer 附带一节 9V PP3 电池，使用前需装上此电池。

拆下固定电池盖的两颗十字头螺钉，安装附带的电池。

普通话

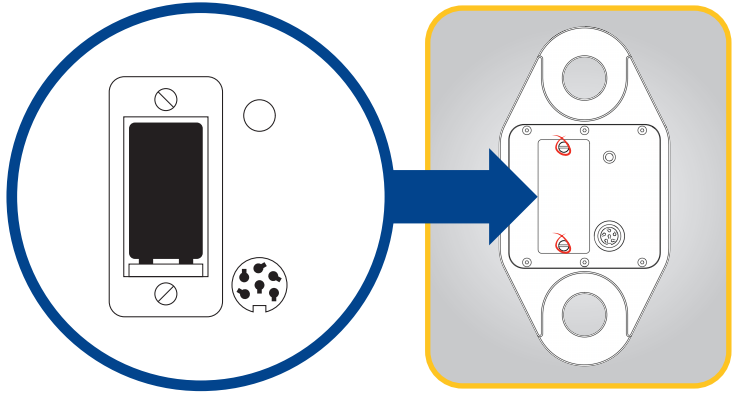
v1.00

The Crosby Self Indicating Dynamometer is supplied with a single 9v PP3 battery – this needs to be fitted before use. Fit the battery supplied by removing the two cross head screws which retain the battery cover.

العربية

05

SID fitting batteries



Fit battery and refit cover making sure all seals are intact.

When the battery is getting low (22 % remaining), "LOBAT" will appear in the top left of the display, when this happens, it should be replaced with an alkaline 9 volt PP3, MN1604, 6F22 or equivalent.



Placer la pile et remettre en place le couvercle de la pile en s'assurant que tous les joints sont intacts.

Lorsque la batterie devient faible (22 % restant), "LOBAT" s'affiche en haut à gauche de l'écran d'affichage. Cela signifie que la pile doit être remplacée par une alcaline 9 volt PP3, MN1604, 6F22 ou tout autre pile équivalente.



Legen Sie die Batterie ein, bringen Sie die Abdeckung wieder an und achten Sie darauf, dass alle Dichtungen intakt sind.

Wenn die Batterie zur Neige geht (22 % verbleibend), "LOBAT" wird in der oberen linken Rand des Displays angezeigt wird, wenn dies geschieht, sollte es ersetzt werden mit einer alkalischen 9 Volt PP3, MN1604, 6F22 oder gleichwertig.



Introduzca la pila y vuelva a colocar la tapa asegurándose de que quede bien fijada.

Cuando la pila se esté agotando (cuando quede un 22 %), aparecerá "LOBAT" en la parte superior izquierda de la pantalla. Cuando esto ocurra, debe sustituir la pila por una pila alcalina de 9 voltios PP3, MN1604, 6F22 o equivalente.



Inserire la batteria e richiudere il coperchio assicurandosi che tutti i sigilli siano intatti.

Quando la batteria è quasi scarica (22 % di carica), nell'angolo superiore sinistro del display appare la scritta "LOBAT". In questo caso è necessario sostituire la batteria con una pila alcalina a 9 volt PP3, MN1604, 6F22 o equivalente.



Plaats de accu en plaats het deksel van het accucompartiment weer terug, waarbij u ervoor zorgt dat de verzegelingen intact blijven.

Wanneer de accuspanning laag wordt (22 % over), zal links bovenaan het scherm "LOBAT" verschijnen. Wanneer dit gebeurt dient u de accu te vervangen door een 9 volt alkaline PP3, MN1604, 6F22 accu of een soortgelijke accu.



Установите батарею в отсек и закройте крышку; убедитесь, что все пломбы целы.

Когда батарея разряжается (остается 22 % заряда), в левом верхнем углу экрана появляется значок «LOBAT». В этом случае необходимо установить новую 9-вольтовую щелочную батарею типа PP3, MN1604, 6F22 или аналогичную.



Τοποθετήστε τη μπαταρία και ξαναβάλτε το κάλυμμα φροντίζοντας όλες τα κλεισίματα να είναι άθικτα.

Όταν η στάθμη φόρτισης της μπαταρίας μειώνεται (22% υπόλοιπο), η ένδειξη "LOBAT" θα εμφανιστεί στο επάνω αριστερό μέρος της οθόνης, όταν συμβαίνει αυτό, θα πρέπει να αντικατασταθεί με μία αλκαλική μπαταρία τύπου 9 volt PP3, MN1604, 6F22 ή ισοδύναμη.



Tilpass batteriet og sett på plass deksleet og sikre at alle forseglinger er intakte.

Når batteriet begynner å bli lavt (22 % gjenværende) vil "LOBAT" vises øverst til venstre i displayet; når dette skjer bør det skiftes ut med et alkalisk 9 volt PP3, MN1604, 6F22 eller tilsvarende.



Sätt in batteriet och sätt tillbaka batteriskyddet samt kontrollera att alla förseglingar är intakta.

När batteriladdningen blir låg (22 % återstående) visas "LOBAT" högst upp till vänster på displayen. När det inträffar skall batteriet bytas ut mot ett 9-volts alkaliskt batteri PP3, MN1604, 6F22 eller motsvarande.



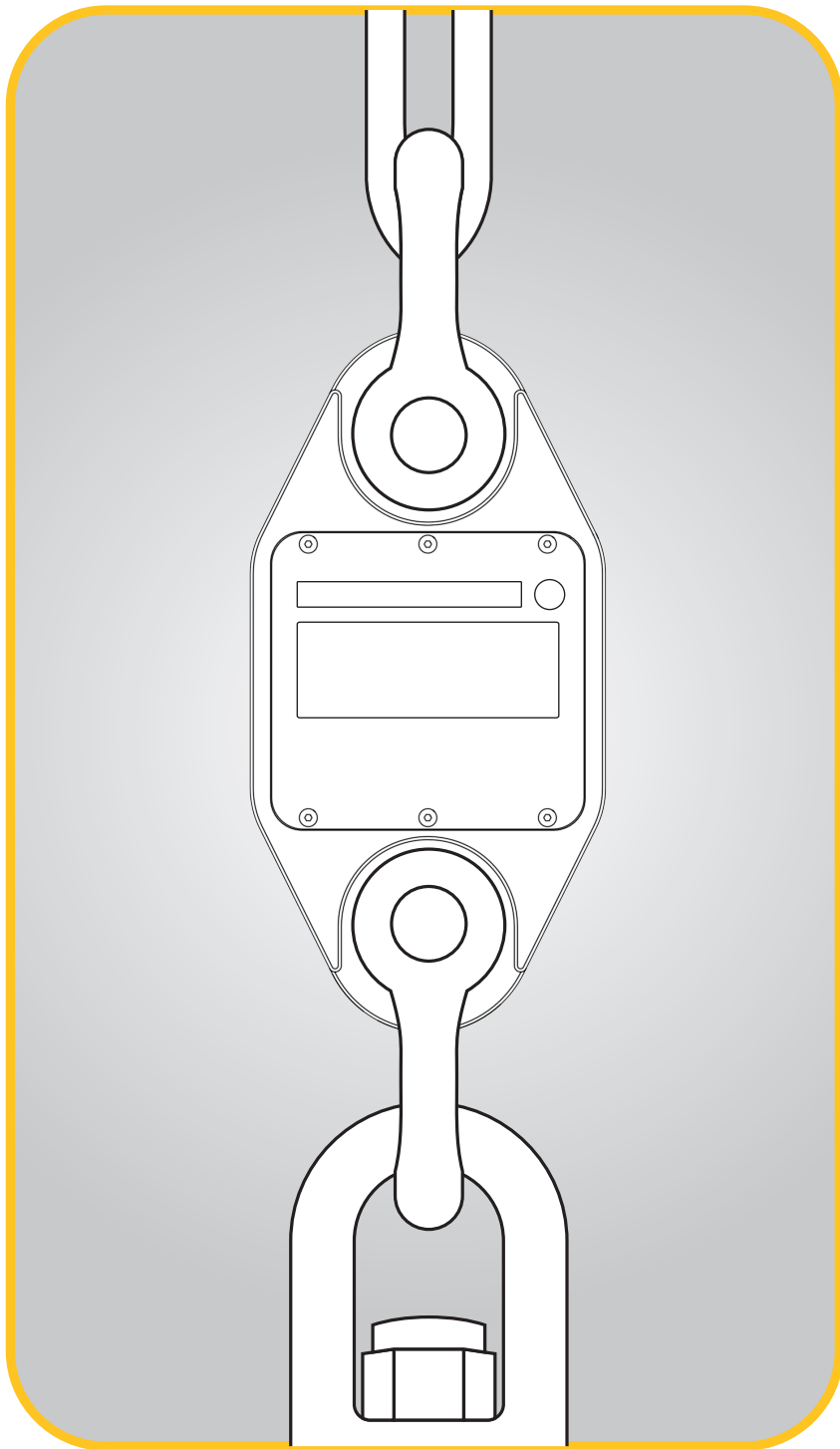
装上电池，然后重新装好电池盖，确保密封完好。

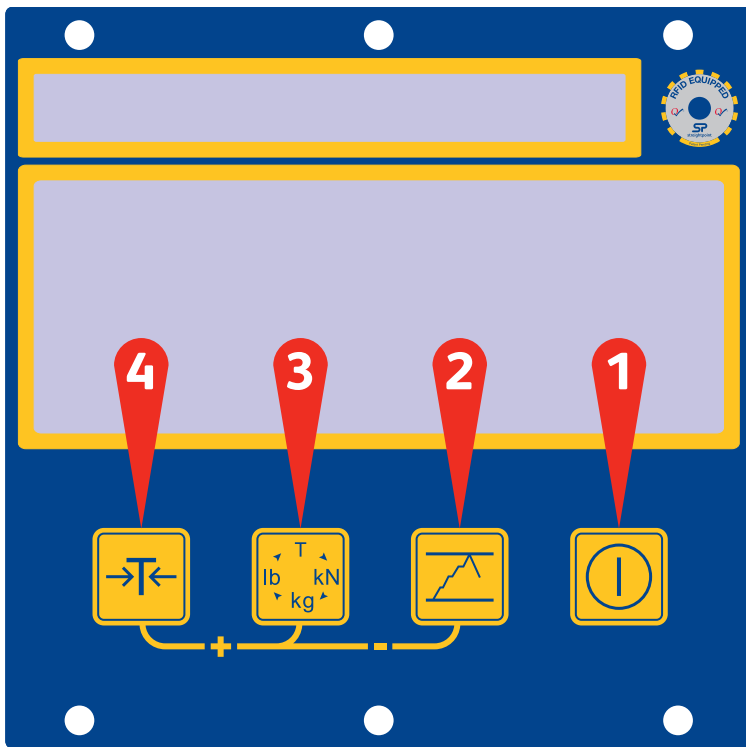
电池电量过低时（剩余 22%），显示屏的左上角会显示 "LOBAT"，如出现这种情况，应使用碱性 9V PP3, MN1604, 6F22 或类似电池进行更换。

普通话

لائقوال عييج م الكيجا نم دلتلحل باطرا باطرا بي انرت دواع قيراطيل باطرا
9 عوللا نم مرداب قيراطيل لادبسا بجي سددج نيح قشاشلا راسي يولعاب "LOBAT" قملك رظمتلس (22 % قيراطي) قيراطيل قواط خريفخت نيح
قوتفام قيراطيل يا و 6F22 و MN1604 و 9 volt PP3

العربية





1



Press this button for three seconds to turn the device on and off.
The device will switch itself off if the load does not change for 20 minutes.

Appuyer sur le bouton pendant trois secondes pour allumer et éteindre l'appareil.
L'appareil s'éteint automatiquement si la charge ne change pas pendant 20 minutes.

Drücken Sie drei Sekunden lang diese Taste, um das Gerät ein- und auszuschalten.
Das Gerät stellt sich selbst ab, wenn sich die Last 20 Minuten nicht verändert.

Pulse este botón durante 3 segundos para encender y apagar el dispositivo.
El dispositivo se desconectará automáticamente si la carga no varía en un periodo de 20 minutos.

Premere questo tasto per tre secondi per accendere e spegnere il dispositivo.
Il dispositivo si disattiva se il carico non varia entro 20 minuti.

Houd deze knop gedurende drie seconden ingedrukt om het toestel in en uit te schakelen.
Het toestel zal zichzelf automatisch uitschakelen wanneer de lading gedurende 20 minuten niet verandert.

Чтобы включить или выключить устройство, нажмите на эту кнопку и удерживайте ее на протяжении трех секунд.
Устройство автоматически выключается, если измеряемый вес не изменяется на протяжении 20 минут.

Πατήστε αυτό το κουμπί για τρία δευτερόλεπτα για την ενεργοποίηση και απενεργοποίηση της συσκευής.
Η συσκευή θα απενεργοποιηθεί αυτόματα σε περίπτωση που το φορτίο δεν αλλάξει για 20 λεπτά.

Trykk på denne knappen i tre sekunder for å slå enheten på og av.
Enheten vil slå seg selv av om lasten ikke endres i løpet av 20 minutter.

Tryck på den här knappen under tre sekunder för att slå på enheten eller slå av den.
Den här enheten slår av sig själv om inte belastningen ändras på 20 minuter.

按此按键三秒可打开或关闭设备。
如果 20 分钟内载荷没有任何变化，设备会自动关闭。



普通话

العربية

هنا قايو زا هاجلا لى غشبتل ييناو ثالت قدهل رزلا انه طغضرا.
قوقيده 20 قدهل لمحل رى غتى مل اذا صرفن زا هاجلا قل غيس

2



Press this button to initialise the peak hold facility.
Once pressed, the display will show 'PH'.
This will make the display 'freeze' at the highest load recorded.
Press the key again to switch off this function.

Presser sur ce bouton pour initialiser la fonction de maintien de crête.
Une fois pressé, l'affichage indique « PH ».
Ainsi, l'affichage se fixera à la valeur de la charge la plus élevée enregistrée.
Appuyer une nouvelle fois sur la touche pour éteindre cette fonction.

Drücken Sie diese Taste, um die Höchstwert-Haltermöglichkeit auszulösen.
Nachdem sie gedrückt wurde, zeigt das Display „PH“ an.
Dies bewirkt das „Einfrieren“ des Displays bei der höchsten erfassten Last.
Betätigen Sie die Taste erneut, um diese Funktion abzustellen.

Pulse este botón para iniciar la función de retención de picos.
Una vez pulsado, se mostrará "PH" en la pantalla.
Esto hará que la pantalla "se congele" en la carga máxima registrada.
Pulse la tecla de nuevo para desactivar esta función.

Premere questo tasto per avviare la funzione "peak hold".
Se premuto, il display mostra la scritta "PH".
Il display si bloccherà al carico più alto registrato.
Premere di nuovo per disattivare questa funzione.

Druk op deze knop om de piekvoorziening te initialiseren.
Zodra u deze heeft ingedrukt, zal het scherm 'PH' weergeven.
Hierdoor zal het scherm 'bevriezen' op de hoogst genoteerde lading.
Druk nogmaals op de knop om de functie uit te schakelen.

Нажмите на эту кнопку, чтобы включить функцию фиксации максимального значения.
После нажатия на дисплее появится значок «PH».
Дисплей будет показывать самый большой вес.
Чтобы отключить эту функцию, нажмите на кнопку еще раз.

Πατήστε αυτό το κουμπί για την εκκίνηση της δυνατότητας συγκράτησης κορυφής.
Με το πάτημα του κουμπιού, η ένδειξη PH θα εμφανιστεί στην οθόνη.
Αυτό θα προκαλέσει το 'πάγωμα' της οθόνης στο υψηλότερο καταγραφόμενο φορτίο.
Πατήστε πάλι το πλήκτρο για την απενεργοποίηση αυτής της λειτουργίας.

Trykk på denne knappen for å innlede maksimum hold.
Så snart den er nedtrykket vil displayet vise 'PH'.
Dette vil gjøre at displayet 'fryser' ved den høyeste registrerte lasten.
Trykk på tasten igjen for å slå av denne funksjonen.

Tryck på den här knappen när du vill initiera topphållningshjälpermedlet.
När den är nedtryckt visar displayen "PH".
Det gör att displayen "fryser" på den högsta registrerade belastningen.
Tryck på knappen en gång till om du vill stänga av den här funktionen.

按此按键可以初始化峰值延时显示功能。
按动此键后，显示屏上会显示“PH”。
这将使显示屏“始终显示”已记录的最高载荷。
再次按该键可关闭此功能。



普通话

العربية

تھمبیک بٹون پر دبا کر پیک ہولڈ فیکلٹی کو فعال کرنا شروع کیا جائے گا۔
پیک ہولڈ فیکلٹی کو فعال کرنے پر، ڈسپلے پر "PH" دکھائی دے گی۔
اس سے ڈسپلے اپنے سب سے زیادہ ریکارڈ شدہ لوڈ پر "جم" ہو جائے گا۔
اس بٹون کو دوبارہ دبانے سے اس فیکلٹی کو غیر فعال کیا جائے گا۔

3



Press this button to toggle through the various units of measurement.
Select from T- tonnes, kN - kiloNewtons, kg - kilograms or lb - pounds.
The selected unit is shown on the display.

Presser ce bouton pour alterner entre les différentes unités de mesure.
Sélectionner une unité parmi T (tonne), kN (kilonewton), kg (kilogramme) ou lb.
L'unité sélectionnée est indiquée sur l'affichage.

Drücken Sie diese Taste, um sich durch die verschiedenen Maßeinheiten zu bewegen.
Wählen Sie aus T- Tonnen, kN - Kilonewton, kg - Kilogramm oder lb - Pfund.
Die ausgewählte Einheit wird auf dem Display angezeigt.

Pulse este botón para cambiar entre las distintas unidades de medida.
Puede escoger entre T (toneladas), kN (kilonewtons), kg (kilogramos) o lb (libras).
La unidad seleccionada se muestra en la pantalla.





Displays when the internal PP3 battery has 22 % capacity remaining.
Displays when the device is reading in tonnes.
Displays when the device is in peak hold mode.
Displays when the device is reading kilograms.
Displays when the device is reading in kilonewtons.
Displays when the device is reading in pounds.



S'affiche lorsqu'il ne reste plus que 22 % de capacité à la batterie interne PP3.
S'affiche lorsque l'appareil est en train de peser en tonne.
S'affiche lorsque l'appareil est en train de peser en mode maintien de crête.
S'affiche lorsque l'appareil est en train de peser en kilogramme.
S'affiche lorsque l'appareil est en train de peser en kiloNewtons.
S'affiche lorsque l'appareil est en train de peser en livre.



Zeigt an, wenn der eingelegten PP3-Batterie 22 % Kapazität verbleiben.
Zeigt an, wenn das Gerät in Tonnen liest.
Zeigt an, wenn sich das Gerät im Höchstwert-Haltemodus befindet.
Zeigt an, wenn das Gerät in Kilogramm liest.
Zeigt an, wenn das Gerät in Kilonewton liest.
Zeigt an, wenn das Gerät in Pfund liest.



Aparece cuando a la pila PP3 interna le queda una capacidad del 22 % .
Aparece cuando el dispositivo está leyendo en toneladas.
Aparece cuando el dispositivo está en el modo de retención de picos.
Aparece cuando el dispositivo está leyendo en kilogramos.
Aparece cuando el dispositivo está leyendo en kilonewtons.
Aparece cuando el dispositivo está leyendo en libras.



Mostra quando la batteria PP3 interna ha il 22 % di carica.
Mostra quando il dispositivo sta utilizzando la tonnellate.
Mostra quando il dispositivo è in modalità "peak hold".
Mostra quando il dispositivo sta utilizzando i kilogrammi.
Mostra quando il dispositivo sta utilizzando i kilonewton.
Mostra quando il dispositivo sta utilizzando le libbre.



Wordt weergegeven wanneer de interne PP3 accu nog maar 22 % accuspanning over heeft.
Wordt weergegeven wanneer het toestel in tonnen aan het meten is.
Wordt weergegeven wanneer het toestel in piekmodus wordt gebruikt.
Wordt weergegeven wanneer het toestel in kilogrammen meet.
Wordt weergegeven wanneer het toestel in kilonewton meet.
Wordt weergegeven wanneer het toestel in ponden meet.



Показывает, что в батарее PP3 осталось 22% заряда.
Показывает, что выбрано измерение веса в тоннах.
Показывает, что включен режим фиксации максимального значения.
Показывает, что выбрано измерение веса в килограммах.
Показывает, что выбрано измерение веса в килоньютонах.
Показывает, что выбрано измерение веса в фунтах.



Εμφανίζεται όταν η εσωτερική μπαταρία PP3 έχει 22% υπολειπόμενη χωρητικότητα.
Εμφανίζεται όταν η συσκευή διαβάζει σε τόνοις.
Εμφανίζεται όταν η συσκευή βρίσκεται σε κατάσταση συγκράτησης κορυφής.
Εμφανίζεται όταν η συσκευή διαβάζει σε κιλά.
Εμφανίζεται όταν η συσκευή διαβάζει σε kilonewtons.
Εμφανίζεται όταν η συσκευή διαβάζει σε λίβρες.



Vises når det interne PP3 batteriet har 22 % kapasitet igjen.
Vises når enheten leser i tonn.
Vises når enheten er i maksimum holdmodus.
Vises når enheten leser i kilogram.
Vises når enheten leser i kilonewton.
Vises når enheten leser i pund.



Visas när det interna PP3-batteriet har 22 % återstående kapacitet.
Visas när enheten läser av i ton.
Visas när enheten är i topphållningsläge.
Visas när enheten läser av i kilogram.
Visas när enheten läser av i kilonewton.
Visas när enheten läser av i pund.



内置 PP3 电池剩余 22 % 电量时显示该符号。
设备以吨单位表示读数时显示该符号。
设备处于峰值延时模式时显示该符号。
设备以千克单位表示读数时显示该符号。
设备以千牛顿单位表示读数时显示该符号。
设备以磅单位表示读数时显示该符号。

العربية
العامية

22 % غلبيت PP3 هيو باطريه بله قوتبتمتلا قاطنا نولت اهدن ع رظت
نطلاب زا هجلا ارقى نيح رظت
هورنلا ليج صت عخدم يهف زا هجلا نولتي نيح رظت
مارجولوليلاب زا هجلا ارقى نيح رظت
ننوين وليلاب زا هجلا ارقى نيح رظت
لخرلاب زا هجلا ارقى نيح رظت

Ensure that the device is switched on 10 minutes before loading, this will allow the temperature stability circuitry to acclimatise. Apply the load SLOWLY and watch the display on the device to ensure that the load applied is not greater than you had estimated. Avoid shock loads. Do not apply large twisting forces to these devices as it may damage them beyond repair. After use, switch off and, if removing the device from the test site, clean and store, ideally in a Straightpoint carry case. If the device is to be stored for long periods of time, please remove the battery.



S'assurer que l'appareil a été allumé 10 minutes avant de charger afin de permettre à la circuiterie de stabilisation de la température de s'acclimater. Appliquer la charge LENTEMENT et regarder l'affichage sur l'appareil afin de s'assurer que la charge appliquée n'est pas plus grande que ce vous aviez estimé. Éviter les charges dynamiques. Ne pas appliquer de grandes forces de torsion à ces appareils pour ne pas les endommager de façon irréparable. Éteindre l'appareil après utilisation et, en cas de déplacement de l'appareil du site d'essai, le nettoyer et le conserver idéalement dans une housse de transport Straightpoint. Si l'appareil est stocké pour une longue période, ôter la pile.



Sorgen Sie dafür, dass das Gerät 10 Minuten vor der Belastung eingeschaltet wird, da dies der Temperaturstabilitätsschaltung ermöglicht, sich zu akklimatisieren. Bringen Sie die Last LANGSAM an und behalten Sie dabei das Display des Geräts im Blick, um sicherzustellen, dass die angebrachte Last nicht schwerer ist, als Sie erwartet haben. Vermeiden Sie Schockbelastung. Wenden Sie keine großen Drehkräfte auf diese Geräte an, da sie sonst irreparabel beschädigt werden könnten. Schalten Sie das Gerät nach der Nutzung aus und, falls es von dem Messstandort entfernt wird, reinigen Sie es und lagern Sie es idealerweise in einem Straightpoint-Transportgehäuse. Falls das Gerät für einen längeren Zeitraum zu lagern ist, entnehmen Sie bitte die Batterie.



Asegúrese de que el dispositivo esté encendido 10 minutos antes de la carga; esto permitirá que el circuito de estabilización de la temperatura se aclimate. Aplique la carga LENTAMENTE y observe la pantalla del dispositivo para asegurarse de que la carga aplicada no sea mayor de lo que había previsto. Evite cargas bruscas. No aplique grandes fuerzas de torsión a estos dispositivos, ya que podría provocarles daños irreparables. Una vez utilizado, apáguelo y, si va a retirar el dispositivo del lugar de la prueba, límpielo y almacénalo, a ser posible en un estuche de transporte de Straightpoint. Si el dispositivo va a almacenarse durante un largo periodo de tiempo, retire la pila.



Accendere il dispositivo 10 minuti prima dell'uso per permettere ai circuiti di stabilità della temperatura di acclimatarsi. Applicare il carico LENTAMENTE e guardare il display sul dispositivo per assicurarsi che il peso applicato non sia maggiore di quello stimato. Evitare carichi eccessivi. Non applicare forze torcenti estreme a questi dispositivi perché possono provocare danni non riparabili. Dopo l'uso, spegnere e, se il dispositivo è rimosso dall'area di test, pulirlo e riportarlo, idealmente in una custodia da trasporto Straightpoint. Se i dispositivi vengono riposti per lunghi periodi di tempo, si consiglia di rimuovere la batteria.



Zorg ervoor dat het toestel 10 minuten voorafgaand aan laden is ingeschakeld. Hierdoor kan het temperatuurstabiliteitscircuit van het toestel acclimatiseren. Breng de lading LANGZAAM aan en kijk op het scherm van het toestel om u ervan te verzekeren dat de toegepaste lading niet groter is dan u had verwacht. Voorkom schokkladingen. Breng geen grote, draaiende krachten aan op dit soort toestellen. Dit kan het toestel namelijk zo beschadigen dat hij niet meer gerepareerd kan worden. Na gebruik schakelt u het toestel uit en verwijdert u het toestel van de testlocatie. Reinig hem en sla hem op, bij voorkeur in een Straightpoint draagtas. Indien het toestel gedurende langere tijd opgeslagen moet worden, verwijdert u de accu.



Перед взвешиванием дайте устройству поработать в течение 10 минут: так его схемы смогут равномерно прогреться. Помещайте груз на весы МЕДЛЕННО и следите за весом по дисплею: он не должен превышать допустимые значения. Избегайте резких нагрузок. Избегайте сильного скручивания устройства: полученные таким образом повреждения могут быть непоправимыми. После использования выключите устройство и при демонтаже очистите его и поместите на хранение (желательно в специальный футляр Straightpoint). Если вы не планируете использовать устройство на протяжении длительного периода времени, достаньте батарею.



Βεβαιωθείτε ότι η συσκευή είναι ενεργοποιημένη 10 λεπτά πριν από τη φόρτωση, αυτό θα επιτρέψει στο κύκλωμα σταθερότητα θερμοκρασίας να εγκλιματιστεί. Εφαρμόστε το φορτίο ΑΡΓΑ και παρακολουθήστε την οθόνη της συσκευής για να εξασφαλίσετε ότι το φορτίο που εφαρμόζεται δεν είναι μεγαλύτερο από εκείνο που είχε εκτιμηθεί. Αποφύγετε τα φορτία σοκ. Μην εφαρμόζετε μεγάλες δυνάμεις, αυστηρώσε σε αυτές τις συσκευές, καθώς μπορεί να τις ζημιώσει ανεπανόρθωτα. Μετά τη χρήση, σβήστε και, αν αφαιρέσετε τη συσκευή από το χώρο δοκιμής, καθαρίστε και αποθηκεύστε, ιδανικά σε μια θήκη μεταφοράς Straightpoint. Εάν η συσκευή πρόκειται να αποθηκευτεί για μεγάλο χρονικό διάστημα, αφαιρέστε την μπαταρία.



Sikre at enheten er slått på 10 minutter før lasting, dette vil la kretsen for temperaturstabilitet akklimatisere seg. Påfør lasten SAKTE og se på displayet på enheten for å sikre at lasten påført ikke er større enn du hadde kalkulert. Unngå sjokkbelastning. Ikke påfør store torsjonsstrykk til disse enhetene da det kan skade dem slik at de ikke kan repareres. Etter bruk, slå av, og om du fjerner enheten fra teststedet, rengjør og oppbevar; ideelt i en Straightpoint bærepose. Om enheten skal lagres over lengre tider, vennligst ta ut batteriet.



Säkerställ att enheten är påslagen 10 minuter före lastning. Det gör att temperaturstabilitetskretsen akklimatiseras. Anbringa lasten LÅNGSAMT och kontrollera displayen på enheten för att säkerställa att lasten inte är större än du har uppskattat. Undvik stötlastningar. Applicera inte stora vridande krafter på dessa enheter eftersom det kan skada dem så att de inte går att reparera. Efter användning stänger du av och, om du tar bort enheten från testplatsen, rengör och förvarar enheten i bästa fall i en Straightpoint-bärväska. Om enheten skall förvaras under en längre tidsperiod tar du också bort batteriet.



确保设备开启 10 分钟，待电路温度达到稳定状态后，再加载负荷。缓慢加载一定的负荷，同时观察遥控显示屏，确保加载的负荷不会超过您预估的水平。避免出现冲击载荷。不要对无线测力环施加很大的扭力。这样可以损坏设备而导致无法修复。使用后，关闭设备；从测试现场拆下设备后，应对设备进行适当清洁并妥善存放，最好放在避得原装便携箱里。如果设备长时间存放不用，请卸下电池。



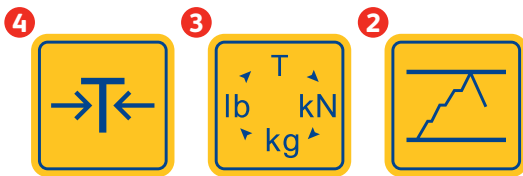
قبط غيقتللا لىلع قرارجلا قيرد رارقنسا رىئاود للذ دىعاسيس لىمىجلل نم قىقآيد 10 دىق لىق غىشئلا عضو يف زاجىلا نا دللت ىنث يفوق يا وىطقت ال ىنثىقاسملا لامجال بنىجت ردوقملا لامجال بنىجت زواجىلا لامجال نا دللتلل زواجىلا قنئاشل رىئاود سلب لمول لامجال بنىجت سلك انلاو زواجىلا قىلغ ىمادىستسال دىب -الىحصائل الابق حىصىي نا زود زواجىلا قىلقت قن انما شىبى قزواجىلا ذىه لىع قىفوق تارىفتل مىنپىت حىس زواجىلا ناك انما Straightpoint لامج قزواجى يف هغىرت نا لىضغىف مىنظوظ رابئىغال عقوم نم زواجىلا قىواطبلما قلازاي ىجرى مىنقوطلا قىمىط.



SID measuring a load

v1.00

13



You may require to preset the tare on this device if, for instance, the tare button is not accessible because of a load suspended underneath.

First, press the **1** button to put the device into net mode.

By pressing the **1** and **2** buttons, the tare will increase.

By pressing the **1** and **2** buttons, the tare will decrease.

Il n'est être nécessaire de prédéfinir la tare sur cet appareil, si par exemple, le bouton de tare n'est pas accessible à cause d'une charge suspendue en dessous.

Premièrement, appuyer sur le bouton **1** afin de régler l'appareil sur le mode net.

La tare augmente en appuyant sur les boutons **1** et **2**.

La tare diminue en appuyant sur les boutons **1** et **2**.

Es könnte erforderlich sein, das Leergewicht an diesem Gerät vor einzustellen, wenn beispielsweise die Voreinstellungstaste aufgrund einer an der Unterseite angehängten Last nicht zugänglich ist.

Drücken Sie zuerst die Taste **1**, um das Gerät in den Netto-Modus zu versetzen.

Durch Drücken der Tasten **1** und **2** erhöht sich das Leergewicht.

Durch Drücken der Tasten **1** und **2** verringert sich das Leergewicht.

Es posible que necesite preconfigurar la tara en este dispositivo si, por ejemplo, no es posible acceder al botón de la tara porque la carga está suspendida debajo.

En primer lugar, pulse el botón **1** para poner el dispositivo en el modo neto.

La tara aumentará si pulsa los botones **1** y **2**.

Si pulsa los botones **1** y **2**, la tara disminuirá.

Può essere necessario preimpostare la tara sul dispositivo se per esempio, il tasto della tara non è accessibile a causa di un carico sospeso sotto.

Premere prima il tasto **1** per mettere il dispositivo in modalità netto.

Premendo i tasti **1** e **2** la tara aumenterà.

Premendo i tasti **1** e **2** la tara aumenterà diminuirà.

Het kan nodig zijn om dit toestel op een vaste waarde te tarreren, bijvoorbeeld als de tarraknop niet toegankelijk is doordat de lading er overheen hangt.

Druk eerst op de **1** knop om het toestel op nettomodus te zetten.

U verhoogt de tarra door op de **1** en **2** knoppen te drukken.

U verlaagt de tarra door op de **1** en **2** knoppen te drukken.

Может потребоваться заранее настроить функцию тары, если, например, кнопка тары недоступна, из-за подвешенного груза.

Сначала нажмите на кнопку **1**, чтобы включить сетевой режим.

Нажатие на кнопки **1** и **2** увеличит вес тары.

Нажатие на кнопки **1** и **2** уменьшит вес тары.

Μπορείτε να ζητήσετε τον προκαθορισμό του απόβαρου σε αυτήν τη συσκευή, αν, για παράδειγμα, το κουμπί του απόβαρου δεν είναι προσβάσιμο λόγω αιωρούμενου φορτίου από κάτω.

Πρώτον, πιέστε το πλήκτρο **1** για να θέσετε τη συσκευή σε καθαρή κατάσταση.

Πατώντας τα πλήκτρα **1** και **2**, το απόβαρο θα αυξηθεί.

Πατώντας τα πλήκτρα **1** και **2**, το απόβαρο θα μειωθεί.

Det kan være du trenger å forhåndsinnstille tareringen på denne enheten om, for eksempel, tareringsknappen ikke er tilgjengelig på grunn av en last suspendert på undersiden.

Først, trykk på **1** knappen for å sette enheten i net modus.

Ved å trykke på **1** og **2** knappene, vil tareringen øke.

Ved å trykke på **1** og **2** knappene, vil tareringen reduseres.

Du kanske måste förinställa taravärdet på den här enheten om, exempelvis, taraknappen inte är åtkomlig för en last under.

Tryck först på knappen **1** för att placera enheten i nätläge.

Genom att trycka på knapparna **1** och **2** ökar du taravärdet.

Genom att trycka på knapparna **1** och **2** minskar du taravärdet.

某些情況下 (例如, 下面懸掛着負載而無法觸及皮重按鍵), 可能需要在本設備上重置皮重。

首先, 按按鍵 **1** 使設備進入淨重模式。

同時按住 **1** 和 **2** 按鍵, 皮重將增加。

同時按住 **1** 和 **2** 按鍵, 皮重將減少。



العربية
العمومية
العمومية

العربية

بمسبب ما دسترس اللد لبلق ريغ قريما عملما رز زاك انزا لما شعلما لوليس يلع زاهجلا اذه يف قريما عملما طبخض قاعلا يلا جاتحتس امهر
بغسبا ولع لمح نوجو

بغسبا ولع لمح نوجو
يفغسبلا يغضو يف زاهجلا عضول **1** ززلا طغضلا الوأ
قريما عملما ديؤت, **1** و **2** نيجوزلا يلع طغضلاب
قريما عملما لقت, **1** و **2** يلع طغضلاب

ALSET AOSET OLOAD

This device is programmed with three user configurable settings:



ALSET - The percentage of full load that the audible alarm will sound.

AOSET - The amount of minutes without a button being pressed before the device will automatically switch off.

This feature is disabled if set to zero.

OLOAD - The amount of times the device has been overloaded since last calibrated (read only). To change these settings, please follow the flowchart overleaf.

Cet appareil est programmé avec trois paramètres configurables par l'utilisateur.



ALSET - Le pourcentage de charge pleine pour que l'alarme audible se mette en route.

AOSET - Le nombre de minutes sans pression d'une touche avant que l'appareil ne s'éteigne automatiquement.

Cette fonction peut être désactivée en la réglant sur zéro.

OLOAD - Le nombre de fois que l'appareil a été surchargé depuis le dernier calibrage (lecture seule). Pour changer ces paramètres, veuillez suivre le diagramme au verso.

Dieses Gerät ist mit drei nutzerkonfigurierbaren Einstellungen programmiert:



ALSET - Der Anteil an der Volllast, bei dem das akustische Signal ertönt.

AOSET - Die Anzahl der Minuten, nach denen sich das Gerät bei einer nicht gedrückten Taste automatisch abstellt.

Dieses Feature ist deaktiviert, wenn die Einstellung auf Null erfolgt ist.

OLOAD - Die Anzahl der Male, die das Gerät seit seiner letzten Kalibrierung überbelastet worden ist (ausschließlich lesbar). Folgen Sie zur Änderung dieser Einstellungen bitte dem umseitigen Ablaufdiagramm.

Este dispositivo está programado con tres ajustes que el usuario puede configurar:



ALSET - El porcentaje de la carga completa que hará que se emita una señal audible.

AOSET - Cantidad de minutos en los que no se pulsa ningún botón antes de que el dispositivo se apague automáticamente.

Esta función está deshabilitada si se establece en cero.

OLOAD - La cantidad de veces que el dispositivo ha soportado una sobrecarga desde la última vez que se calibró (solo lectura). Para cambiar estos ajustes, siga el diagrama de la página siguiente.

Il dispositivo è programmato con 3 impostazioni configurabili dall'utente:



ALSET - La percentuale del carico totale alla quale si attiva l'allarme.

AOSET - Il numero totale di minuti senza premere alcun tasto prima che il dispositivo si disattivi automaticamente.

Questa funzione è disattivata se si imposta il valore zero.

OLOAD - Il numero di volte che il dispositivo è stato sovraccaricato dall'ultima calibrazione (solo lettura). Per cambiare queste impostazioni, si prega di seguire le indicazioni del disegno seguente.

Dit toestel is geprogrammeerd met drie door de gebruiker te configureren instellingen:



ALSET - Het percentage van de volledige lading waarop het geluidsalarm zal klinken.

AOSET - Het aantal minuten waarbinnen geen knoppen worden ingedrukt voordat het apparaat automatisch zal worden uitgeschakeld. Deze functie is uitgeschakeld als hij op nul is gesteld.

OLOAD - Het aantal keer dat het toestel overbelast is sinds de laatste kalibratie (alleen lezen). Om deze instellingen te veranderen, volgt u het stroomdiagram op de volgende pagina.

На данном устройстве пользователь может настраивать три параметра:



ALSET - процент от максимальной нагрузки, при котором будет срабатывать звуковой сигнал.

AOSET - время, по прошествии которого устройство автоматически отключается, если ни одна кнопка не будет нажата. Если установить значение параметра на ноль, функция отключается.

OLOAD - количество перегрузок со времени последней калибровки (исключительно информационная функция). Для изменения этих настроек см. схему на обратной стороне.

Αυτή η συσκευή έχει προγραμματιστεί με τρεις ρυθμίσεις που ρυθμίζονται από το χρήστη:



ALSET - Το ποσοστό του πλήρους φορτίου ότι ο ηχητικός συναγερμός θα ηχήσει.

AOSET - Ο αριθμός των λεπτών χωρίς το πάτημα του πλήκτρου πριν από την αυτόματη απενεργοποίηση της συσκευής. Αυτή η δυνατότητα είναι απενεργοποιημένη αν ορίσετε σε τιμή μηδέν.

OLOAD - Ο αριθμός των φορών που η συσκευή έχει υπερφορτωθεί από την τελευταία φορά βαθμονόμησης (μόνο για ανάγνωση). Για την αλλαγή αυτών των ρυθμίσεων, ακολουθήστε το διάγραμμα στην επόμενη σελίδα.

Denne enheten er programmert med tre brukerkonfigurerbare innstillinger:



ALSET - Prosenten med full last hvor en hørbar alarm høres.

AOSET - Antall minutter uten at en knapp trykkes før enheten automatisk slår seg av.

Denne egenskapen er deaktivert om innstilt til null.

OLOAD - Antall ganger enheten har vært overlastet siden siste kalibrering (skrivebeskyttet). For å endre disse innstillingene, vennligst følg flytskjema på den andre siden.

Den här enheten är programmerad med tre användarkonfigurerbara inställningar:



ALSET - Procent av full belastning som utlöser det hörbara larmet.

AOSET - Tiden i minuter utan några knapptryckningar innan enheten automatiskt stängs av.

Den här funktionen är avaktiverad om den har ställts in på noll.

OLOAD - Tiden som enheten har överbelastats sedan den sist kalibrerades (enbart läsning). Om du vill ändra dessa inställningar följer du häftet med flödesdiagrammet.

通过三个可由用户配置的设置，可对本设备进行编程设定：

普通话

ALSET - 设置在达到满载的一定百分比时，发出声音警报。

AOSET - 设置多少分钟没有触发按键将自动关闭设备。

如果设置为零，则将禁用该功能。

OLOAD - 设备上上次校准后的过载次数（只读）。要更改这些设置，请按下一页流程图操作。

به‌خاطر این که این وسیله با سه تنظیم قابل تغییر توسط کاربر برنامه‌ریزی شده است:

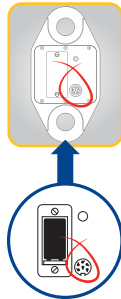
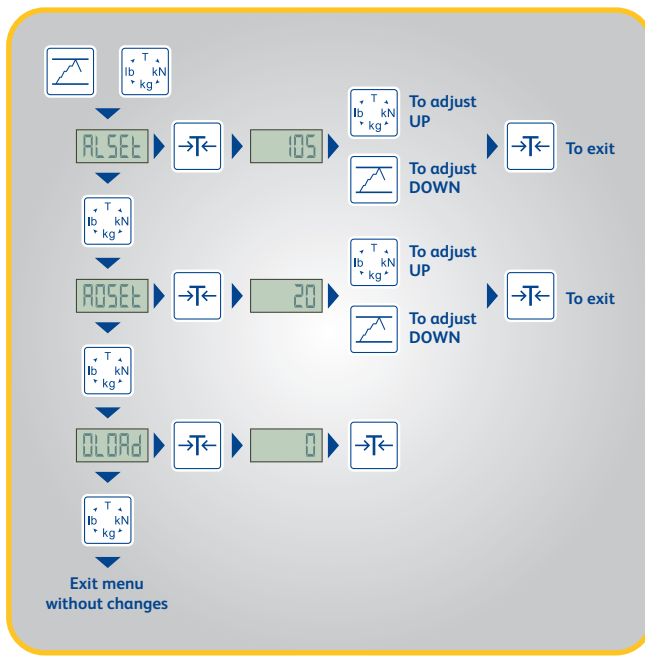
العربية

ALSET - تنظیم در رسیدن به درصد مشخصی از بار کامل، صدای هشدار را پخش می‌کند.

AOSET - تنظیم می‌کند که چقدر بدون فشردن دکمه، دستگاه به صورت خودکار خاموش می‌شود.

OLOAD - تعداد بارهایی که دستگاه از آخرین کالیبراسیون تاکنون بارگذاری بیش از حد شده است (فقط برای خواندن).

برای تغییر این تنظیمات، لطفاً به نمودار جریان در صفحه بعدی مراجعه کنید.



If using the Handheld plus as optional cabled handheld display, plug it into the output port on the rear of the Dynamometer shown to the left. Please refer to user manual SU3343 for correct use of the Handheld plus.



En cas d'utilisation de Handheld plus en tant qu'affichage portatif câblé, le brancher dans le port de sortie à l'arrière du Dynamomètre indiqué à gauche.



Bei Nutzung des Handheld plus als optionales verkabeltes Handgerät-Display schließen Sie ihn an den Ausgangsport auf der Rückseite des LoadLinkTM an, wie links dargestellt. Richten Sie sich bezüglich der korrekten Nutzung des Handheld plus bitte nach dem Bedienerhandbuch SU3343.



Si utiliza el Handheld plus como pantalla de mano opcional cableada, conéctelo al puerto de salida ubicado en la parte trasera del Dynamometer, como se muestra a la izquierda.



Se si utilizza Handheld plus come display aggiuntivo, inserirlo nell'uscita posizionata nella parte posteriore del dispositivo Dynamometer mostrato nell'immagine a sinistra.



Indien u de Handheld plus als optioneel bekabeld handheld scherm gebruikt, koppelt u deze aan de output poort aan de achterzijde van de Dynamometer, als links weergegeven.



Если вы хотите использовать Handheld plus в качестве дополнительного портативного дисплея, подключите его с помощью кабеля к выходу с задней стороны Dynamometer, как показано слева. Для получения подробной информации о правильном использовании Handheld plus см. руководство по эксплуатации SU3343.



Αν χρησιμοποιείτε το Handheld plus προαιρετική καλωδιωμένη φορητή οθόνη, συνδέστε το στη θύρα εξόδου στο πίσω μέρος του Dynamometer όπως φαίνεται αριστερά.



Om du bruker Handheld plus, et alternativt kablet håndholdt display, plugg det inn i kontaktporten på baksiden av Dynamometer vist til venstre.



Om du använder Handheld plus som en valfri kablad handhållen display, ansluter du den till utmatningsporten på baksidan till Dynamometer som det visas till vänster.



如果使用 Handheld Plus 作为有线手持遥控器选件，将其插入 Dynamometer 后面的输出口（如左图所示）。要了解如何正确使用 Handheld Plus，请参阅用户手册 SU3343。

普通话

جهازنا نقدمه في العديد من صيغ مختلفة لم يتغير شيء في تصميمها. Handheld plus هو خيار إضافي يمكن استخدامه كجهاز تحكم عن بعد لـ Dynamometer. يرجى الرجوع إلى دليل المستخدم SU3343 لمعرفة المزيد عن استخدام Handheld plus.

العربية

While these devices are sealed to IP65/NEMA4X standards, they should not be immersed in water. The effects of solvent on the device can not be guaranteed, and should therefore be avoided.



Avoid use within 20-30 minutes of rapid changes in temperature, for example moving the device from a cold vehicle into a warm room. The change in temperature can affect the accuracy of the device. The operating temperature is -10 to +50° C or 14 to 122° F.

Should the display show "OLOAd" remove the load immediately as this indicates an overload situation. Check that the load applied is within the working load limit of the device. If it continues to display overload, contact your supplier.

Bien que ces appareils soient scellés aux normes IP65/NEMA4X, ils ne doivent pas être immergés dans l'eau. Les effets de solvant sur l'appareil ne peuvent pas être garantis, et doivent donc être évités.



Évitez d'opérer sous 20-30 minutes de brusques changements de température, par exemple de déplacer l'appareil à partir d'un véhicule froid dans une pièce chaude. Le changement de température peut affecter la précision de l'appareil. La température de fonctionnement est de -10 à +50 °C ou de 14 à 122 °F.

Si l'écran affiche « OLOAd », retirez immédiatement la charge, car cela indique une situation de surcharge. Vérifier que la charge appliquée est dans la limite du dispositif de charge de travail. Si elle continue à afficher une surcharge, contactez votre fournisseur.

Obwohl diese Geräte nach IP65/NEMA4X-Normen abgedichtet werden, sollten sie nicht in Wasser getaucht werden. Es besteht keine Garantie für Lösemittel-Auswirkungen an dem jeweiligen Gerät, daher sollten diese vermieden werden.



Vermeiden Sie die Nutzung innerhalb eines Zeitraumes von 20-30 Minuten, nachdem das Gerät deutliche Temperaturwechsel durchlaufen hat, etwa wenn es von einem kalten Auto in einen warmen Raum gebracht worden ist. Der Temperaturwechsel kann die Genauigkeit des Gerätes beeinflussen. Die Nutzungstemperatur beträgt -10 bis +50° C oder 14 bis 122° F.

Sollte auf der Anzeige „OLOAd“ zu lesen sein, entfernen Sie umgehend die Last, da eine Überbelastungssituation signalisiert wird. Überprüfen Sie, dass die Belastung innerhalb der Tragfähigkeit des Gerätes. Wenn es um eine Überlastung anzuzeigen weiter, kontaktieren Sie Ihren Lieferanten.

Aunque estos dispositivos siguen los estándares IP65/NEMA4X, no deben sumergirse en agua. Las consecuencias de una inmersión no pueden garantizarse y se debe, por tanto, evitar.



Evite su uso en 20-30 minutos en cambios rápido de temperatura, por ejemplo al pasar el dispositivo de un vehículo frío a una habitación caliente. El cambio de temperatura puede afectar a la precisión del dispositivo. La temperatura de funcionamiento es de -10 a +50° C o de 14 a 122° F.

Si aparece en la pantalla "OLOAd", retire la carga inmediatamente ya que hay una sobrecarga. Compruebe que la carga aplicada está dentro del límite de carga de trabajo del dispositivo. Si se sigue mostrando la sobrecarga, póngase en contacto con su proveedor.

Anche se i presenti dispositivi sono sigillati conformemente agli standard IP65/NEMA4X, non dovrebbero essere immersi nell'acqua. Gli effetti del solvente sul dispositivo non possono essere garantiti e quindi dovrebbe essere evitato.



Evitare l'uso entro 20-30 minuti di cambiamenti rapidi di temperatura, per esempio quando si muove il dispositivo da un veicolo freddo in una stanza calda. La variazione della temperatura può influire sull'accuratezza del dispositivo. La temperatura operativa è nell'intervallo da -10 a +50° C o da 14 a 122° F.

Se il display mostra "OLOAd" rimuovere immediatamente il carico perché indica una situazione di sovraccarico. Verificare che il carico applicato è entro il limite di carico di lavoro del dispositivo. Se si continua a visualizzare sovraccarico, contattare il proprio fornitore.

Hoewel deze apparatuur is verzegeld volgens de IP65/NEMA4X maatstaven, dienen ze niet ondergedompeld te worden in water. De effecten van oplosmiddelen op het toestel kunnen niet worden gegarandeerd en dienen derhalve te worden voorkomen.



Voorkom gebruik binnen 20 – 30 minuten na een snelle temperatuurverandering, bijvoorbeeld door het toestel van een koud voertuig te verplaatsen naar een verwarmde ruimte. De temperatuurverandering kan de accuratesse van het toestel beïnvloeden. De gebruikstemperatuur is 10 tot +50° C of 14 tot 122° F.

Mocht de display geven "OLOAd" verwijder de last onmiddellijk als dit wijst op een overbelasting. Controleer of de toegepaste belasting binnen de werkklass maximum van de apparatuur. Als het blijft overbelasting geven, neem dan contact op met uw leverancier.

Поскольку устройства имеют уплотнения, соответствующие стандартам IP65/NEMA4X, их запрещается опускать в воду. Невозможно гарантировать положительный эффект от воздействия растворителей на устройство, поэтому не следует допускать их контакта.



Не эксплуатируйте устройство в течение 20-30 минут после резкого перепада температур, например, после переноса устройства из холодного автомобиля в теплую комнату. Перепад температур может снизить точность измерений. Диапазон рабочих температур составляет от -10 до +50°C (от 14 до 122°F).

При появлении на дисплее надписи «OLOAd» незамедлительно снимите нагрузку. Убедитесь, что нагрузка, приложенная находится в пределах рабочей нагрузки устройства. Если так будет продолжаться, чтобы отобразить перегрузку, обратитесь к поставщику.

Αν και αυτές οι συσκευές φέρουν στεγανοποίηση σύμφωνα με τα πρότυπα IP65/NEMA4X, δεν θα πρέπει να βυθίζονται σε νερό. Η επίδραση διαλύτη στη συσκευή δεν είναι εγγυημένη και θα πρέπει επομένως να αποφεύγεται.



Αποφύγετε τη χρήση εντός 20-30 λεπτών γρήγορων μεταβολών θερμοκρασίας, για παράδειγμα, μετακινώντας τη συσκευή από ένα παγωμένο όχημα σε ένα ζεστό δωμάτιο. Η αλλαγή θερμοκρασίας μπορεί να επηρεάσει την ακρίβεια της συσκευής. Η θερμοκρασία λειτουργίας είναι 10 έως +50° C ή 14 έως 122° F.

Αν εμφανιστεί η ένδειξη "OLOAd" στην οθόνη, αφαιρέστε άμεσα το φορτίο, καθώς αυτή υποδεικνύει μία συνθήκη υπερφόρτωσης. Βεβαιωθείτε ότι το φορτίο που εφαρμόζεται είναι εντός του ορίου φορτίου λειτουργίας της συσκευής. Εάν εξακολουθεί να εμφανίζεται υπερφόρτωση, επικοινωνήστε με τον προμηθευτή σας.

Mens dette utstyret er forseglet til IP65/NEMA4X standarder skal de ikke legges i vann. Effektene av løsningsmidler på utstyret kan ikke garanteres og skal derfor unngås.



Unngå bruk innenfor 20-30 minutter med hurtige endringer i temperatur, for eksempel ved å flytte utstyret fra en kald bil til et varmt rom. Endringen i temperatur kan påvirke nøyaktigheten av utstyret. Driftstemperaturen er -10 til +50° C eller 14 til 122° F.

Skulle skjermen vise "OLOAd", fjern lasten umiddelbart, da dette indikerer en overbelastningssituasjon. Kontroller at gjeldende last er innen arbeidsbelastningsgrensen til enheten. Hvis skjermen fortsetter å indikere overbelastning, ta kontakt med forhandleren din.

Eftersom dessa enheter är tätade enligt IP65/NEMA4X-standard bör de inte sänkas ner i vatten. Effekterna av lösningsmedel på enheten kan inte garanteras och bör därför undvikas.



Undvik att använda 20-30 minuter efter snabba temperaturförändringar, t.ex. om enheten har flyttats från ett kallt fordon till ett varmt rum. Temperaturförändringar kan påverka enhetens noggrannhet. Drifttemperaturen är 10 till +50°C eller 14 till 122°F.

Avlägsna omedelbart lasten om det står "OLOAd" på skärmen eftersom detta indikerar en överbelastning. Kontrollera att den belastning som anbringas är inom maxlasten av anordningen. Om det fortsätter att visa överbelastning, kontakta din leverantör.

无线测力环是按照 IP65/NEMA4X 密封防护级别进行封装制造, 因此不应将其浸入水中。目前还无法保证溶剂对设备不产生影响, 因此要避免接触此类物质。

普通话

应避免使设备在短时间内 (20-30 分钟) 经历剧烈的环境温度变化, 比如将设备从温度较低的运输车辆内移至温暖的室内环境。环境温度变化会影响计量的准确性。设备的工作温度范围为 -10 到 +50° C (14 到 122° F)。

如果显示屏出现 "OLOAd" 字样, 说明设备已经过载, 应立即卸下负荷物。检查应用负载設備的工作負荷極限內。如果繼續顯示過載, 請聯繫您的供應商。

ريغ زاھجل ایلع قبيذھلما قدامل تاریشتات. اھجل یف اصمغ مدع ہنأ الی. IP65/NEMA4X ريغی اھل اوقوفو قھكھم تزھجل اھذھنأ م ریغ اھبھجت بھجی اذلو قھومام

العربية

قھرب قبلھم نم زاھجل لقن لاشھلما لھیس ایلع. قھراھجل اھجھد یف اھبھوسلما تاریغھلما نم قھوقھد 30 ایلما 20 لالھ مادھجتسرال بھجت ایلما 14 اوا سھوقھلس +50 ایلما -10. یھ لریغھلما قھراھج اھجھد. زاھجل قھد ایلع رشوی بق قھراھجل اھجھد ریغیغھلما. قھقھد قھخرغ ایلما. قھیا مھزھف 122

لھجلما اھمازی ایلما ریھتھ قھاسرلما اھذھنأ ل روھلما ایلع قھوملما لزا. "اھماز قھومج" "OLOAd" قھراھلما قھرھظا اذلا. لھب مرھاھلما روھلما لھبھتا. قھیا اذلا قھخرول لھزل ال ناک اذلا. زاھجل لھوم قھومج روھج یف وھ قھبھلما لھجلما نا نم لھنات

These products are supplied with a certificate of calibration which is valid for one year. After this date, it is recommended the device is recalibrated by Straightpoint or an approved calibration laboratory. Contact the Straightpoint service department or your supplier for more information. In the unlikely event of this device failing, fit new batteries and re-test. Only when this has been done should you contact your supplier to report the fault. When reporting the fault it is important to give a full description of the problem and the type of application the device is being used for.



Ces produits sont livrés avec un certificat d'étalonnage qui est valable pour un an. Après cette date, il est recommandé de faire un nouvel étalonnage par Straightpoint ou un laboratoire d'étalonnage agréé. Contactez le service après-vente Straightpoint ou votre fournisseur pour plus d'informations. Dans le cas peu probable que ce produit tombe en panne, installez de nouvelles piles et testez à nouveau. Ce n'est que lorsque cela a été fait que vous devez contacter votre fournisseur et lui signaler ce défaut. Lors de la déclaration du défaut, il est important de donner une description complète du problème et le type d'application.



Diese Produkte werden mit einem für ein Jahr gültigen Eichzertifikat geliefert. Es wird empfohlen, dass das Gerät nach Ablauf dieses Zeitraumes durch Straightpoint oder ein zugelassenes Kalibrierlabor nachgeeicht wird. Nehmen Sie für weitere Informationen Kontakt mit der Straightpoint-Kundendienstabteilung oder Ihrem Lieferanten auf. Legen Sie für den unwahrscheinlichen Fall des Produktversagens neue Batterien ein und versuchen Sie es erneut. Nur nachdem dies getan worden ist, sollten Sie Kontakt mit Ihrem Lieferanten aufnehmen und den Fehler melden. Dabei ist es wichtig, eine vollständige Problembeschreibung zu liefern und das Anwendungsgebiet zu nennen, für welches das Gerät genutzt wird.



Estos productos se distribuyen con un certificado de calibración que tiene un año de validez. Tras esta fecha, se recomienda que Straightpoint o un laboratorio de calibración autorizado recalibre el dispositivo. Póngase en contacto con el Servicio de atención al cliente de Straightpoint o con su distribuidor si desea más información. En el improbable caso de que el dispositivo no funcione, introduzca pilas nuevas y pruébelo de nuevo. Solo cuando haya hecho esto debe ponerse en contacto con su distribuidor para informar de la anomalía. Cuando la comunique es importante que dé una descripción completa del problema y del tipo de aplicación que está haciendo del dispositivo.



Questi prodotti sono forniti con un certificato di taratura che è valido per un anno. Dopo questa data si raccomanda che il dispositivo sia ricalibrato da Straightpoint oppure da un laboratorio di calibrazione approvato. Contattare il dipartimento assistenza di Straightpoint o il vostro rivenditore per maggiori informazioni. In eventualità che il dispositivo presenti un guasto, installare nuove batterie e compiere nuovamente il test. Solo quando questo è avvenuto dovrete contattare il vostro rivenditore per riportare il guasto. Nel riportare un guasto è importante fornire una descrizione completa del problema ed il tipo di applicazione per cui è stato usato il dispositivo.



Deze producten worden geleverd met een kalibratiecertificaat, welke geldig is voor één jaar. Na deze datum wordt aanbevolen om het toestel opnieuw te laten kalibreren door Straightpoint of een goedgekeurd kalibratielaboratorium. Neem voor meer informatie contact op met de serviceafdeling van Straightpoint of uw leverancier. In het onfortuinlijke geval dat dit toestel defecten vertoont, plaatst u nieuwe batterijen en test u opnieuw of het toestel werkt. Alleen wanneer u dit reeds heeft gedaan, dient u contact op te nemen met uw leverancier om het defect te melden. Bij melding van een defect is het belangrijk om een volledige beschrijving van het probleem te geven en het soort toepassing waar het toestel voor wordt gebruikt.



В комплекте с изделием поставляется сертификат калибровки, действующий в течение одного года. По истечении этого срока рекомендуется провести повторную калибровку устройства силами специалистов компании Straightpoint или специалистов авторизованной калибровочной лаборатории. Для получения дополнительной информации обратитесь в сервисную службу компании Straightpoint или к поставщику изделия. В случае сбоя устройства установите новые батареи и проверьте его работоспособность. Только после этого следует обращаться к поставщику с сообщением о поломке. При сообщении о поломке важно предоставить полное описание проблемы и тип работ, для которых применяется устройство.



Αυτά τα προϊόντα παρέχονται με ένα πιστοποιητικό βαθμονόμησης, το οποίο είναι έγκυρο για ένα έτος. Ύστερα από το τέλος αυτής της ημερομηνίας, συνιστάται η εκ νέου βαθμονόμηση της συσκευής από τη Straightpoint ή ένα εγκεκριμένο εργαστήριο βαθμονόμησης. Επικοινωνήστε με το τμήμα σέρβις της Straightpoint ή τον προμηθευτή σας για περισσότερες πληροφορίες. Στην απίθανη περίπτωση αποτυχίας της συσκευής, τοποθετήστε νέες μπαταρίες και δοκιμάστε πάλι. Μόνο όταν έχετε προβεί σε αυτήν την ενέργεια θα πρέπει να επικοινωνήσετε με τον προμηθευτή σας για αναφορά σφάλματος. Κατά την αναφορά σφάλματος είναι σημαντικό να δώσετε μια πλήρη περιγραφή του προβλήματος και του τύπου εφαρμογής χρήσης της συσκευής.



Disse produktene er levert med et sertifikat for kalibrering som er gyldig for et år. Etter denne datoen er det anbefalt at utstyret er recalibrert av Straightpoint eller et godkjent kalibreringslaboratorie. Kontakt Straightpoint serviceavdeling eller din leverandør for mer informasjon. I det usannsynlige tilfellet ditt utstyr svikter, sett i nye batterier og test på nytt. Kun når dette er gjort bør du kontakte din leverandør for å rapportere svikten. Ved rapportering av svikten er det viktig å gi en komplett beskrivelse av problemet og typen applikasjonen utstyret er brukt for.



De här produkterna levereras med ett kalibreringsintyg som är giltigt i ett år. Efter detta datum rekommenderar vi att enheten omkalibreras av Straightpoint eller ett godkänt kalibreringslaboratorium. Kontakta Straightpoints serviceavdelning eller din återförsäljare för ytterligare information. Skulle det osannolika ske och enheten slutar fungera, sätt in nya batterier och försök igen. Endast om detta har gjorts bör du kontakta din återförsäljare och rapportera felet. Vid rapportering av fel är det viktigt att du ger en fullständig beskrivning av problemet och anger vad enheten används för.



产品附带有我们提供的校准证书，有效期为一年。此有效期截止时，建议由速得有限公司对设备重新校准，也可由认可的校准实验室进行校准。要了解详细信息，请联系速得服务部或您当地的专业服务提供商。万一设备功能失效，请装上新电池重新测试。如果更换新电池后仍然失效，再请联系您的服务提供商，反馈设备故障情况。反馈故障情况时，务必详细完整地描述设备出现的问题及设备的具体应用情况。

普通话

تتم قبل تسليم قريما مع هاهذيب قوندم تاجت نجلما هذه
 مدت مع قريما مع لرم معم و Straightpoint قلمساوب زاهايا قري عيب صروي. جيروالت انه دعب
 حاجل عمل نم نودم ملع لوصيل مل درومل و Straightpoint قنخ سروبل لصحتا
 هوباسلا قنط عتاب دايو قل دعب ال لطلع نع ال عالبال درومل بل لصت ال خطيرل دعو قنيدج تاري لربط بلر لملع نع لطلع لبعو شدح اذا
 زاهايا هيف دعب تجميدل قري قنيطلا. عؤنو قنلقتل مل الماك افصرو عيطت نا لطلع نع عالبال دنع جملا نم

العربية

Straightpoint (UK) Ltd warranty this product against malfunction for a period of two years from manufacture.

Conditions of warranty:

- 1) The equipment is used as described exactly in the operators manual supplied.
 - 2) While we make every effort to ensure each device is calibrated before despatch, Straightpoint (UK) Ltd do not accept responsibility for inaccurate readings indicated by this equipment.
 - 3) In the event of malfunction, the device is returned to the manufacturer.
- Straightpoint (UK) Ltd, Unit 123, Proxima Park, Houghton Avenue, Waterlooville, Hants, PO7 3DU
- 4) If we consider any malfunction to be caused by misuse, this warranty is void and any repair will be charged for accordingly.



Straightpoint (UK) Ltd garantit ce produit contre tout dysfonctionnement pour une période de deux ans à compter de la date de fabrication.

Conditions de garantie:

- 1) L'équipement est utilisé comme décrit exactement dans le manuel d'utilisation fourni.
 - 2) Tandis que nous faisons tous les efforts possibles pour s'assurer que chaque appareil est étalonné avant expédition, Straightpoint (UK) Ltd ne peut être tenue responsable des lectures inexactes indiquées par cet appareil.
 - 3) En cas de dysfonctionnement, l'appareil est retourné au fabricant.
- Straightpoint (UK) Ltd, Unit 123, Proxima Park, Houghton Avenue, Waterlooville, Hants, PO7 3DU
- 4) Tout dysfonctionnement causé par une mauvaise utilisation annulera la garantie et la réparation sera facturée en conséquence.



Straightpoint (UK) Ltd deckt dieses Produkt mit einer Garantie von zwei Jahren ab Herstellungsdatum gegen Ausfälle ab.

Garantiebedingungen:

- 1) Das Produkt wird exakt so genutzt, wie im gelieferten Bedienungshandbuch beschrieben.
 - 2) Obwohl wir alle Anstrengungen unternehmen, um zu gewährleisten, dass jedes Gerät vor Auslieferung geeicht ist, übernimmt Straightpoint (UK) Ltd keine Verantwortung für ungenaue Werte, die durch das jeweilige Gerät angezeigt werden.
 - 3) Im Falle von Störungen ist das Gerät zurück an den Hersteller zu senden.
- Straightpoint (UK) Ltd, Unit 123, Proxima Park, Houghton Avenue, Waterlooville, Hants, PO7 3DU
- 4) Sind wir der Auffassung, dass Störungen durch unsachgemäße Anwendung verursacht worden sind, ist diese Garantie unwirksam und jede Instandsetzung wird entsprechend berechnet.



Straightpoint (UK) Ltd garantiza este producto frente a mal funcionamiento durante dos años desde su fabricación.

Condiciones de la garantía:

- 1) El material se utiliza tal y como se describe en el manual de usuario facilitado.
 - 2) Dado que hacemos todo lo posible por calibrar el dispositivo antes de que se distribuya, Straightpoint (UK) Ltd no acepta responsabilidad alguna por interpretaciones inexactas de lo indicado en este material.
 - 3) En caso de mal funcionamiento, devuelva el dispositivo al fabricante a la siguiente dirección:
- Straightpoint (UK) Ltd, Unit 123, Proxima Park, Houghton Avenue, Waterlooville, Hants, PO7 3DU
- 4) Si consideramos que el mal funcionamiento se debe a un uso inadecuado, se anula la garantía y se cobrará cualquier reparación realizada.



Straightpoint (UK) Ltd garantisce questo prodotto contro il malfunzionamento per un periodo di due anni dalla produzione.

Le condizioni della garanzia:

- 1) L'apparecchiatura viene utilizzata esattamente come descritto nel manuale operatori in dotazione.
 - 2) Anche se ci impegniamo per assicurare che ogni dispositivo venga calibrato prima della spedizione, Straightpoint (UK) Ltd non accetta la responsabilità per letture non accurate indicate dalla presente apparecchiatura.
 - 3) In caso di malfunzionamento il dispositivo viene restituito al produttore:
- Straightpoint (UK) Ltd, Unit 123, Proxima Park, Houghton Avenue, Waterlooville, Hants, PO7 3DU
- 4) Qualora dovessimo considerare che il malfunzionamento è causato da un uso improprio questa garanzia decade e tutti gli interventi di riparazione verranno addebitati di conseguenza.



Straightpoint (UK) Ltd biedt gedurende een periode van twee jaar vanaf de productiedatum een garantie tegen productiefouten.

Garantievoorwaarden:

- 1) Het toestel wordt precies gebruikt als beschreven in de gebruikershandleiding als meegeleverd met het product.
 - 2) Hoewel we alles in het werk stellen om ervoor te zorgen dat elk apparaat voor verzending is gekalibreerd, aanvaardt Straightpoint (UK) Ltd geen verantwoordelijkheid voor een onjuiste waarde, aangegeven door dit toestel.
 - 3) In het geval van defecten wordt het toestel gerepareerd naar de fabrikant:
- Straightpoint (UK) Ltd, Unit 123, Proxima Park, Houghton Avenue, Waterlooville, Hants, PO7 3DU
- 4) Indien we constateren dat het defect wordt veroorzaakt door misbruik, is deze garantie niet van toepassing en zal reparatie van het toestel dienovereenkomstig worden voorbereidend aan de gebruiker.



Straightpoint (UK) Ltd даёт гарантию исправности изделия на два года, начиная с даты изготовления.

Условия предоставления гарантийного обслуживания:

- 1) Оборудование должно использоваться строго в соответствии с описанием, приведенном в настоящем руководстве по эксплуатации.
 - 2) Не смотря на то, что перед отправкой все устройства калибруются, компания Straightpoint (UK) Ltd не несет ответственности за последствия неточных показаний, полученных с помощью данного изделия.
 - 3) В случае неисправности изделие должно быть возвращено производителю по адресу:
- Straightpoint (UK) Ltd, Unit 123, Proxima Park, Houghton Avenue, Waterlooville, Hants, PO7 3DU
- 4) Если неисправность вызвана ненадлежащей эксплуатацией, производитель снимает с себя гарантийные обязательства, при этом стоимость ремонта изделия подлежит оплате покупателем.



H Straightpoint (UK) Ltd παρέχει εγγύηση μη δυσλειτουργίας του παρόντος προϊόντος για χρονικό διάστημα δύο ετών από την κατασκευή.

Συνθήκες εγγύησης:

- 1) Ο εξοπλισμός χρησιμοποιείται όπως περιγράφεται ακριβώς στο παρεχόμενο εγχειρίδιο χειριστή.
 - 2) Εάν καταβληθούν κόβες προαπαιθεί για τη διασφάλιση της βελτιστοποίησης κάθε συσκευής πριν την αποστολή, η Straightpoint (UK) Ltd δεν αναλαμβάνει καμία ευθύνη για ανακριβείς ενδείξεις του υπολογιστή ο ελεγκτή.
 - 3) Στην περίπτωση δυσλειτουργίας, η συσκευή επιστρέφεται στον κατασκευαστή:
- Straightpoint (UK) Ltd, Unit 123, Proxima Park, Houghton Avenue, Waterlooville, Hants, PO7 3DU
- 4) Αν κρίνουμε ότι οποιοδήποτε δυσλειτουργία οφείλεται σε κακή χρήση, η εγγύηση ακυρώνεται και κάθε επισκευή θα επιφέρει αντίστοιχο χρέωση.



Straightpoint (UK) Ltd garanterer dette produktet mot funksjonsfeil i en periode på to år fra produksjon.

Garantibetingelser:

- 1) Utstyret er brukt nøyaktig som beskrevet i brukerhåndboken som er levert.
 - 2) Selv om vi forsøker å sikre at hvert utstyr er kalibrert før forsendelse, vil ikke Straightpoint (UK) Ltd påta seg noe ansvar for unøyaktige avlesninger indikert av dette utstyret.
 - 3) I tilfelle av maskinsvikt, er utstyret returnert til produsenten:
- Straightpoint (UK) Ltd, Unit 123, Proxima Park, Houghton Avenue, Waterlooville, Hants, PO7 3DU
- 4) Om vi anser et en maskinsvikt er forårsaket av misbruk er denne garantien ugyldiggjort og alle reparasjonskostnader vil bli beregnet i samsvar med dette.



Straightpoint (UK) Ltd lämnar garanti på denna produkt för funktionsfel under en period av två år från tillverkningsdatumet.

Garantivillkor:

- 1) Utrustningen används enligt den utfärliga beskrivningen i medföljande bruksanvisning.
 - 2) Även om vi gör allt vi kan för att se till att varje enhet är kalibrerad före leverans ansvarar Straightpoint (UK) Ltd inte för felaktiga avläsningar som utförs av denna utrustning.
 - 3) Vid fel returneras enheten till tillverkaren:
- Straightpoint (UK) Ltd, Unit 123, Proxima Park, Houghton Avenue, Waterlooville, Hants, PO7 3DU
- 4) Om vi anser att ett fel har orsakats av felaktig användning är denna garanti ogiltig och alla reparationer kommer då att debiteras.



Straightpoint (UK) Ltd 保证本产品自生产之后两年内不会发生故障。

具体的质保要求如下:

- 1) 设备的使用应严格遵守本使用手册的各项规定。
 - 2) 速得 (英国) 有限公司已尽力确保每台设备在发货前都经过校准测试, 对于设备显示读数不准确的情况, 速得 (英国) 有限公司不承担任何责任。
 - 3) 如果设备发生故障, 请将其退回给制造商, 即寄地址:
- Straightpoint (UK) Ltd, Unit 123, Proxima Park, Houghton Avenue, Waterlooville, Hants, PO7 3DU
- 4) 如果速得认为设备故障是由用户使用不当造成的, 客户无法享受此质保服务, 速得不承担任何相应的维修费用。

普通话

Straightpoint (UK) Ltd شركة تضمن هذا المنتج ضد العطل لمدة سنتين من التصنيع.

شروط الضمان

- 1) استخدام الجهاز بنفس الطريقة الموصى بها في دليل التشغيل.
 - 2) بينما نبتدأ كل Straightpoint (UK) Ltd كل الجهود الممثلة لضمان معايرة كل جهاز قبل شحنها, فإنها لا تقبل أي مسؤولية عن أي أخطاء خاطئة تشير إليها العميل.
 - 3) في حالة تعطل الجهاز, ونحن نرجو أن نصلح, سيتم إرسال الجهاز إلى المصنع.
 - 4) إذا كان العطل ناتجاً عن سوء الاستخدام, يصبح هذا الضمان لاغياً ويبدأ عليه سيتم فرض رسوم على التصليح.
- Straightpoint (UK) Ltd, Unit 123, Proxima Park, Houghton Avenue, Waterlooville, Hants, PO7 3DU

العربية

Distributor Stamp

