

Crosby Straightpoin’s Subsea link (SL) has been manufactured for use in subsea or submersible projects where accurate load monitoring is required.

Constructed from 17-4PH stainless steel with o’ring seals and moulded SubConn connector the SL link design ensures high integrity and will resist saltwater, temperature variations and the water pressure at varying depths of up to 2000m or 6562 feet.

At depth the SL can be handled and rigged via an ROV where it maybe inaccessible by a diver/s or cost may prohibit.

Output options include mV/V to the SP Handheld plus, 4-20mA or 0-10v analog to a PLC, Datalogger or The Multi Operation Survey System (MOSS), RS485 or an integral datalogger storing up to one million readings and powered by an internal battery.

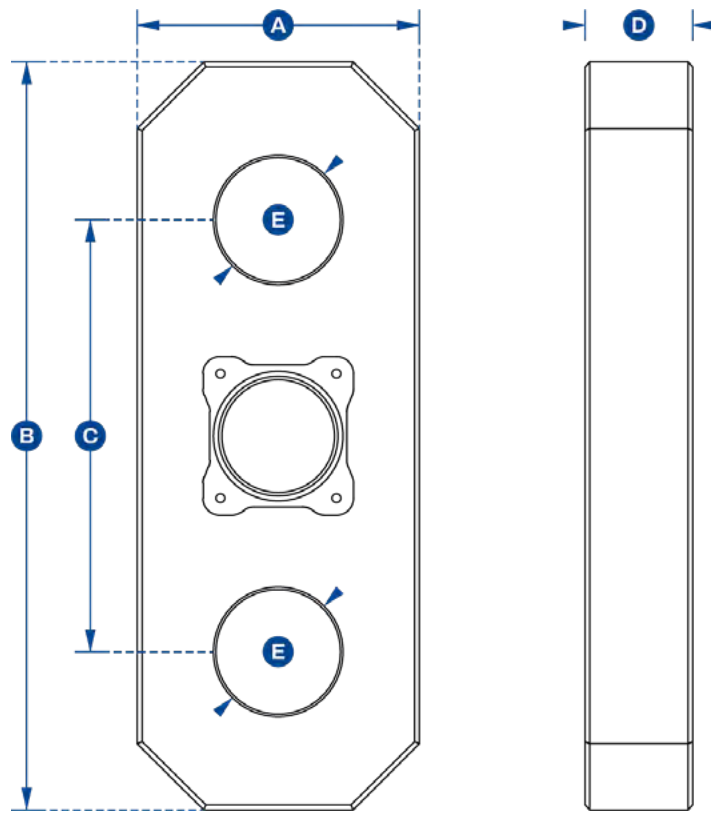
Designed to accept Crosby ROV shackles - additionally there is an option for ROV mounting on the SL body itself.

Features & Benefits

- On board data-logging option
- Pressure tested to depth of 2000m/6562ft
- SubConn connector
- Environmental protection IP68/NEMA6P
- mV/V, 4-20mA, 0-10v, RS485 output options
- 17-4 Stainless Steel
- Designed to fit with Crosby ROV shackles

Applications

- Offshore platforms
- Ships and towing cables
- Aquaculture
- Subsea structure lifting systems
- ROV exploration
- Umbilical load monitoring
- Oceanography or navigation projects
- Renewable energy platforms



SP Model	SL6T5	SL12T	SL25T	SL35T	SL55T	SL85T	SL120T
Crosby Part	2789352	2789353	2789354	2789355	2789356	2789357	2789358
Capacity	6.5 te	12 te	25 te	35 te	55 te	85 te	120 te
	14,300 lb	26,000 lb	55,000 lb	77,000 lb	120,000 lb	185,000 lb	260,000 lb
Weight	7 kg	10 kg	16 kg	22 kg	34 kg	46 kg	67 kg
	15 lb	23 lb	34 lb	49 lb	75 lb	101 lb	148 lb
Safety Factor	5:1						
Output	Options for: mV/V, 4-20mA, 0-10v, RS485 or internal data logger						
Operating Temp	-10 to +50 °C / 14 to 122°F						
Accuracy	+/- 0.1% FS						
Max depth of use	2000 meters/ 6562 feet						
Material	17-4PH stainless steel						
MTBF to WLL	Typically 50 million cycles						
Elongation	Typically <0.4 mm at WLL						
Dimension A	95	100	130	150	168	190	220
	3.74	3.94	5.12	5.91	6.61	7.48	8.66
Dimension B	240	300	350	400	450	490	550
	9.45	11.81	13.78	15.75	17.72	19.29	21.65
Dimension C	180	200	230	250	260	290	335
	7.09	7.87	9.06	9.84	10.24	11.42	13.19
Dimension D	25	40	45	50	65	75	86
	0.98	1.57	1.77	1.97	2.56	2.95	3.39
Dimension ØE	30	40	55	60	75	88	100
	1.18	1.57	2.17	2.36	2.95	3.46	3.94
Dimension F	73	88	93	98	113	123	134
	2.87	3.46	3.66	3.86	4.45	4.84	5.28
Crosby Shackle	G2130	G2130 or G2100 or G2110 ROV shackles			G2140 or G2100 or G2110 ROV shackles		G2140