

# Load cell transmitter



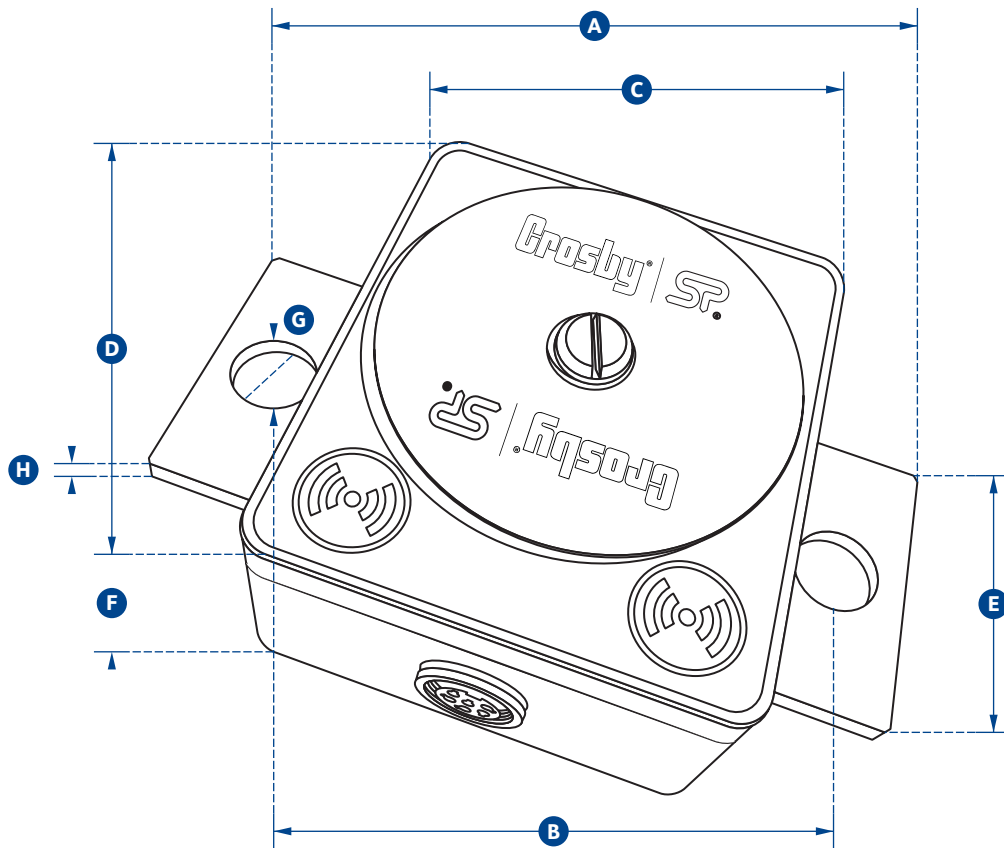
**The SA700C transmitter connects to strain gauge transducers such as load cells, torque sensors and pressure transducers allowing them to form part of a Straightpoint wireless system.**

Load data from the SA700C can be received by multiple receivers that include SW-HHP handheld, SW-MWLC software or our range of wireless accessories.

The load data transmitted by the SA700C has been designed for battery operation and supports an ultra low-power sleep mode whilst offering class leading wireless coverage and range.

Configurable transmission rates from once per day to 200 per second cope with a wide range of measurement and monitoring applications.

Housed in an aerospace grade aluminium enclosure and sealed to IP67 / NEMA6 with no external antennae the SA700C provide a flexible solution to your wireless load cell requirements.



Part Numbers	
SP	SA700C
Crosby	2789087
Battery Type	4 x AA
Battery Life	1200Hrs continuous
Operating Temp	-10 to +50 °C or 14° to 122°F
Protection	IP67 or NEMA6
Frequency	2.4GHz
Range	700 metres or 2300 feet
Data Rate	3Hz - up to 200Hz can be ordered for dynamic load monitoring applications
Max Sensitivity	3.2mv/v
Minimum gauge resistance	85Ω
Transmit Power	10mW
Connector	Binder 423 series, 6 pole female socket
Dimension A	160mm / 6.3"
Dimension B	130mm / 5.1"
Dimension C	89mm / 3.5"
Dimension D	102mm / 4"
Dimension E	82mm / 3.2"
Dimension F	45mm / 1.8"
Dimension G	Ø 18mm / Ø 0.7"
Dimension H	5mm / 0.2"