



Loadlink plus

Known worldwide as the original electronic force measurement device to feature an integral display, the Loadlink plus has been in production since 1979. Over the years, the line has been expanded and it is now used on a daily basis for load monitoring and heavy lifts. These can range in capacity from 1t to 300t, and are used by a variety of industrial and commercial industries including manufacturing, transportation, agriculture, oil and gas, utilities, aerospace and clean energy.

This latest version of the well-known product has advanced features and benefits, providing solutions for today's complicated load test and force monitoring needs. The Loadlink plus features full function push button controls for tare, choice of units (lbs, kg, kN and tonnes), peak hold, preset tare, audible set-point alarm and an overload counter.

The advanced microprocessor-based electronics provide the Loadlink plus with high speed read rates, extreme resistance to industrial level noise and unprecedented stability. This high stability gives the Loadlink plus over 5,000 divisions and the highest standard resolution of any digital dynamometer on the market today. Constructed of high-grade aircraft quality aluminium, Straightpoint's advanced internal design structure allows the product to once again top the charts with an unmatched weight to strength ratio. Straightpoint's link style dynamometers are on average 30% lighter than their closest competitor with the same safety rating.

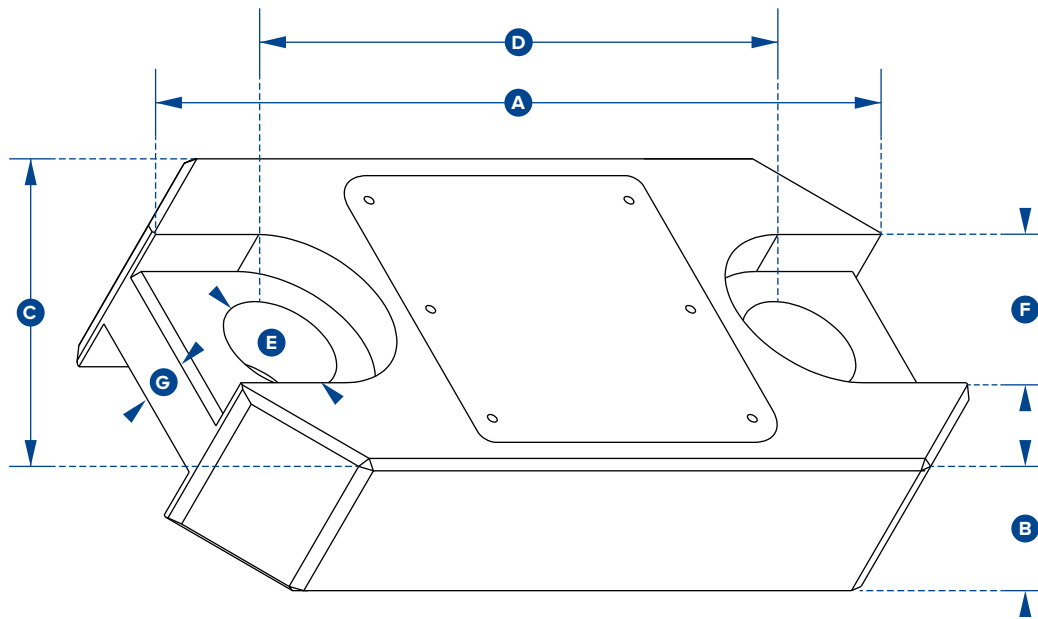


Features and benefits:

- Large 25mm or 1" LCD display
- High accuracy
- Selectable units te, lbs, kN & kg
- High resolution
- 100Hz Peak hold
- Push button tare
- Light weight
- Preset tare
- Overload counter
- 90db Audible set point alarm
- RS-485 serial output
- Design validated by F.E.A.
- 2-year warranty
- DNV-GL Type Approval
- Complies with ASME B30.26



Optional Connection
to SP's Handheld plus
SP Crosby
Part Nos.
HHP
2789030



| Part Numbers | | | | | | | | | | | | | |
|----------------|---------------------------------|-----------------|------------------|-------------------------------|-----------------|-----------------|------------------|------------------|-------------------|-------------------|-------------------|-------------------|-------------------|
| SP | LLP1T | LLP2T5 | LLP6T5 | LLP12T | LLP25T | LLP35T | LLP55T | LLP75T | LLP100T | LLP150T | LLP200T | LLP250T | LLP300T |
| Crosby | 2789042 | 2789046 | 2789050 | 2789040 | 2789045 | 2789048 | 2789049 | 2789051 | 2789039 | 2789041 | 2789043 | 2789044 | 2789047 |
| Capacity | 1,000kg 2200lb | 2.5te 5500lb | 6.5te 14300lb | 12te 26000lb | 25te 55000lb | 35te 77000lb | 55te 120000lb | 75te 165000lb | 100te 220000lb | 150te 330000lb | 200te 440000lb | 250te 550000lb | 300te 660000lb |
| Resolution | 0.5kg 1lb | 0.001te 2lb | 0.001te 2lb | 0.002te 5lb | 0.005te 10lb | 0.005te 10lb | 0.01te 20lb | 0.01te 20lb | 0.05te 100lb | 0.05te 100lb | 0.1te 200lb | 0.1te 200lb | 0.1te 200lb |
| Units | kg lb | te lb | te lb | te lb | te lb | te lb | te lb | te lb | te lb | te lb | te lb | te lb | te lb |
| Weight | 1.5kg 3.3lb | 1.5kg 3.3lb | 2.4kg 5.3lb | 3.7kg 8.2lb | 5kg 11lb | 8.6kg 19lb | 13kg 28.7lb | 16kg 35.3lb | 34kg 75lb | 46kg 101.4lb | 82kg 180.8lb | 82kg 180.8lb | 118kg 260lb |
| Safety Factor | 12:1 | 7:1 | 7:1 | 7:1 | 5:1 | 5:1 | 5:1 | 5:1 | 5:1 | 4:1 | 5:1 | 4:1 | 5:1 |
| Battery Type | 9v PP3 | | | | | | | | | | | | |
| Battery Life | 80 hours continuous | | | | | | | | | | | | |
| Display Type | 6 digit 25mm or 1" LCD | | | | | | | | | | | | |
| Operating Temp | -10°C to +50°C or 14°F to 122°F | | | | | | | | | | | | |
| Accuracy | ±0.1% of full scale | | | | | | | | | | | | |
| Protection | IP65 or NEMA4X | | | | | | | | | | | | |
| Dimension A | 204 8.03" | 204 8.03" | 249 9.80" | 305 12.01" | 340 13.39" | 393 15.47" | 424 16.69" | 470 18.50" | 608 23.94" | 670 26.38" | 700 27.56" | 700 27.56" | 806 31.73" |
| Dimension B | 43 1.69" | 43 1.69" | 43 1.69" | 47 1.85" | 60 2.36" | 75 2.95" | 75 2.95" | 75 2.95" | 99 3.90" | 99 3.90" | 144 5.67" | 144 5.67" | 150 5.91" |
| Dimension C | 104 4.09" | 104 4.09" | 113 4.45" | 113 4.45" | 115 4.53" | 126 4.96" | 180 7.09" | 202 7.95" | 255 10.04" | 303 11.93" | 350 13.78" | 350 13.78" | 426 16.77" |
| Dimension D | 146 5.75" | 146 5.75" | 165 6.50" | 193 7.60" | 215 8.46" | 225 8.86" | 230 9.06" | 260 10.24" | 320 12.60" | 360 14.17" | 350 13.78" | 350 13.78" | 350 13.78" |
| Dimension ØE | 24.5 0.96" | 24.5 0.96" | 38 1.50" | 47.5 1.87" | 55 2.17" | 60 2.36" | 76 2.99" | 76 2.99" | 109 4.29" | 109 4.29" | 145 5.71" | 145 5.71" | 160 6.30" |
| Dimension F | 48 1.89" | 48 1.89" | 65 2.60" | Not relevant in this capacity | | | | | | | | | |
| Dimension G | 19 0.75" | 19 0.75" | 32 1.26" | | | | | | | | | | |
| Crosby Shackle | G2130 | | | | | | G2140 | | | | | | |
| Loading Pin Ø | 19 3/4" | 19 3/4" | 25 1" | 35 1 3/8" | 51 2" | 57 2 1/4" | 57 2 1/4" | 70 2 3/4" | 83 3 1/4" | 95 3 3/4" | 121 4 3/4" | 127 5" | 152 6" |