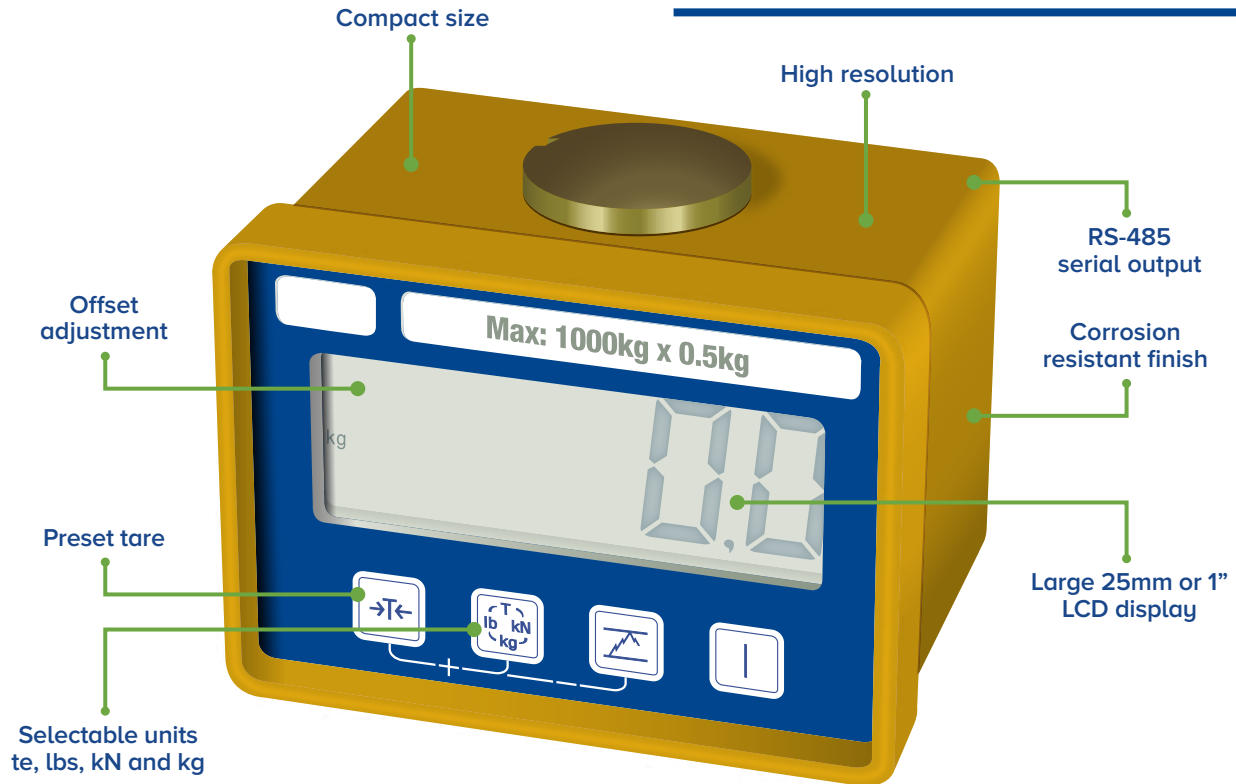


Loadblock plus



The Loadblock plus is a low capacity, self-indicating compression load cell, used in many testing and load monitoring applications worldwide.

The integral display eliminates the need for a separate display or cable assembly that can be easily damaged. Applications include the measurement of loads associated with the testing of hydraulic presses, cylinders or jacks.

This latest version of Straightpoint's Loadblock has advanced features and benefits that provide solutions for today's complicated load test, as well as force monitoring needs. Features include full function push button controls for tare, units of measure (lbs, kg, kN and tonnes), peak hold, pre-set tare, audible set-point alarm and an overload counter.

This crucial overload alarm counter is a requirement for many safety and quality control departments, as it keeps track of overload events. Should this occur, the load cell in question can be removed from service immediately, following the calibration-voiding overload event. It can then be sent out for proper testing and, if necessary, a recalibration can be done before it re-enters service.

The advanced microprocessor based electronics provide the Loadblock plus with high speed read rates (500/sec), extreme

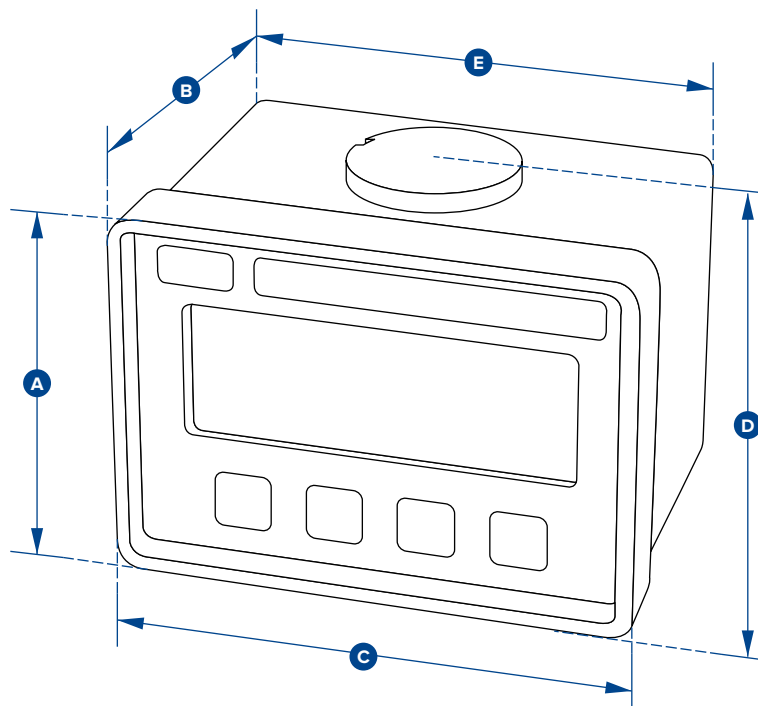
resistance to industrial level noise and unprecedented stability.

This high stability provides the Loadblock plus with 5,000+ divisions and the highest standard resolution of any self-indicating compression load cell on the market today.

The unit also features a RS-485 serial output port allowing for remote viewing with either the Handheld plus digital display/controller or Windows PC desktop controller data logging software.

Features and benefits:

- Large 25mm or 1" LCD Display
- High resolution
- 100Hz Peak hold
- Compact size
- Push button tare
- Preset tare
- RS485 port for connection to datalogging system
- Selectable units te, lbs, kN and kg



Part Numbers	LBP250KG		LBP500KG		LBP1T		LBP2T		LBP5T	
SP	2789035		2789037		2789034		2789036		2789038	
Crosby	2789035		2789037		2789034		2789036		2789038	
Capacity	250kg	500kg	1te	2te	5te					
	550lb	1100lb	2200lb	4400lb	11000lb					
Resolution	0.1kg	0.2kg	0.0005te	0.001te	0.001te					
	0.2lb	0.5lb	1lb	2lb	2lb					
Units	t, kg, kN and lb									
	lb, te, kN and kg									
Weight	900g	900g	900g	1.5kg	3.1kg					
	2lb	2lb	2lb	3.3lb	6.8lb					
Safety Factor	4:1	5:1	5:1	5:1	5:1					
Battery Type	9v PP3									
Battery Life	80hrs continuous									
Display Type	6 digit 25mm LCD or 6 digit 1" LCD									
Operating Temp	-10°C to 50°C or 14°F to 122°F									
Accuracy	±0.1% of full scale									
Protection	IP65 or NEMA4X									
Dimension A	81	81	81	92	92					
	3.19"	3.19"	3.19"	3.62"	3.62"					
Dimension B	81	81	81	117	136					
	3.19"	3.19"	3.19"	4.61"	5.35"					
Dimension C	113	113	113	112	112					
	4.45"	4.45"	4.45"	4.41"	4.41"					
Dimension D	90	90	90	104	115					
	3.54"	3.54"	3.54"	4.09"	4.53"					
Dimension E	104	104	104	Not available in this capacity						
	4.09"	4.09"	4.09"							