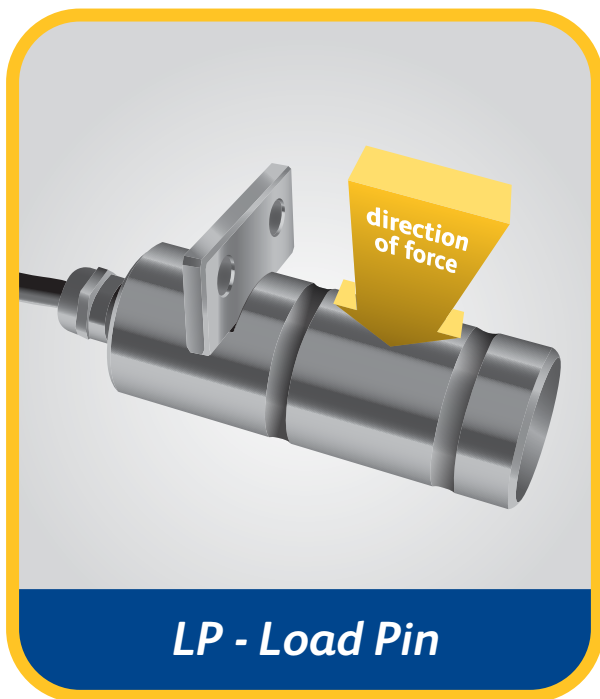


Crosby



LP - Load Pin

 Operating instructions	 Руководство по эксплуатации
 Mode d'emploi	 οδηγίες χειρισμού
 Bedienungsanleitung	 Brukerinstruksjoner
 Manual de instrucciones	 Bruksanvisning
 Istruzioni per l'uso	 普通话 操作说明
 Gebruikersinstructies	 العربية تعليمات التشغيل

THIS MANUAL WAS WRITTEN IN THE ENGLISH LANGUAGE AND PROFESSIONALLY TRANSLATED TO ALL OTHER LANGUAGES CONTAINED WITHIN THIS DOCUMENT. PLEASE NOTE THAT STRAIGHTPOINT ACCEPTS NO RESPONSIBILITY FOR ANY ERRORS OR OMISSIONS.

LP user manual

v1.00
Part No:
SU3511

EU DECLARATION OF CONFORMITY

Product: Wireless Loadpin LP

Product Description: Wireless loadpin designed for use where and end of line loadcell cannot be used. Built to withstand the harshest of environments in industries such as offshore oil and gas, and suitable for use in exposed situations.

Made from stainless stell and normally supplied with an anti-rotation plate. Available from 0.5t to 1500t.

Designed for use with Crosby Straightpoint handheld plus digital display (HHP).



Marking:

Manufacturer: Straightpoint (UK) Limited,
123 Proxima Park
Houghton Avenue
Waterlooville
Hampshire
PO7 3DU, United Kingdom

This conformity is based upon compliance with the application of harmonized or applicable technical standards and, where applicable or required, a European Union Notified Body certification.

Directives: The described product above, is in conformity with:
EU Machinery Directive 2006/42/EC;
EU Radio Equipment Directive 2014/53/EU (RED Directive);
EU RoHS 2011/65/EU

Applicable Harmonised Standards: **EU Machinery Directive 2006/42/EC**
EN ISO 12100:2010 Safety of machinery - General principles for design – Risk assessment and risk reduction.

RED Directive

EN301 489-1 v2.2.3 (2019-11) ElectroMagnetic Compatibility (EMC) standard for radio equipment and services, Part 1: Common technical requirements;

EN301 489-3 v2.1.2 (2021-03) ElectroMagnetic Compatibility (EMC) standard for radio equipment and services, Part 3: Specific conditions for Short Range Devices (SRD) operating on frequencies between 9 kHz and 246 GHz;

EN301 489-17 v3.2.4 (2020-09) ElectroMagnetic Compatibility (EMC) standard for radio equipment and services, Part 17: Specific conditions for Broadband Data Transmission Systems;

BS EN 62368-1:2020+A11:2020 Audio/video, information and communication technology equipment. Safety requirements.

RoHS

EN IEC 63000:2018 Technical documentation for the assessment of electrical and electronic products with respect to the restriction of hazardous substances.

Notified Body: Self-declared.

Quality Management: ISO 9001:2015 Quality Management Systems Requirements: BSI Certificate No. FM 584438

Straightpoint (UK) Limited declare that under our sole responsibility for the manufacture and supply of the product detailed above, that it conforms to the essential health and safety requirements of the listed applicable Directives and applicable harmonised technical Standards.

EU Authorised Representative: CROSBY EUROPE
Industriepark Zone B N°26
B-2220 Heist-op-den-Berg
Belgium

Signed, on behalf of Authorised Representative:

Name: Thomas Dietvorst
Position: General Manager
Date: August 30th 2023

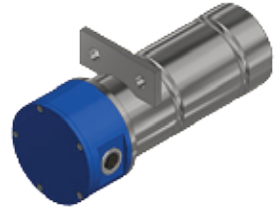
EU DECLARATION OF CONFORMITY

Product: Loadpin LP

Product Description: Designed for use where and end of line loadcell cannot be used. Built to withstand the harshest of environments in industries such as offshore oil and gas, and suitable for use in exposed situations.

Made from stainless stell and normally supplied with an anti-rotation plate. Available from 0.5t to 1500t.

Requires connection to Crosby Straightpoint's Handheld plus (HHP), or External Amplifier range (SA-3420) that can be configured to provide outputs such as 4-20mA, 0-10v, 0-5v for PLC or data logger integration.



Marking:

Manufacturer: Straightpoint (UK) Limited,
123 Proxima Park
Houghton Avenue
Waterlooille
Hampshire
PO7 3DU, United Kingdom

This conformity is based upon compliance with the application of harmonized or applicable technical standards and, where applicable or required, a European Union Notified Body certification.

Directives: The described product above, is in conformity with:
EU Machinery Directive 2006/42/EC;
EU EMC Directive 2014/30/EU
EU RoHS 2011/65/EU

Applicable Harmonised Standards: **EU Machinery Directive 2006/42/EC**
EN ISO 12100:2010 Safety of machinery - General principles for design – Risk assessment and risk reduction.

EMC Directive

BS EN 55011:2016+A11:2020 Industrial, scientific and medical equipment. Radio-frequency disturbance characteristics. Limits and methods of measurement;

EN 61326-1 Electrical equipment for measurement, control and laboratory use, EMC requirements, Part 1, General Requirements;

EN 61000-6-1 – Electromagnetic compatibility (EMC), Part 6.1, Generic Standards Immunity for residential, commercial and light industrial environments.

RoHS

EN IEC 63000:2018 Technical documentation for the assessment of electrical and electronic products with respect to the restriction of hazardous substances.

Notified Body: Self-declared.

Quality Management: ISO 9001:2015 Quality Management Systems Requirements: BSI Certificate No. FM 584438

Straightpoint (UK) Limited declare that under our sole responsibility for the manufacture and supply of the product detailed above, that it conforms to the essential health and safety requirements of the listed applicable Directives and applicable harmonised technical Standards.

EU Authorised Representative: CROSBY EUROPE
Industriepark Zone B N°26
B-2220 Heist-op-den-Berg
Belgium

Signed, on behalf of Authorised Representative:

Name: Thomas Dietvorst
Position: General Manager
Date: August 30th 2023

DECLARATION OF CONFORMITY

Product: Wireless Loadpin LP

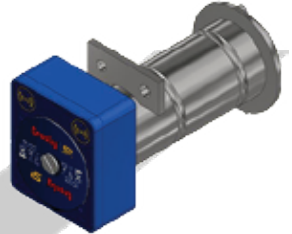
Product Description: Wireless loadpin designed for use where end of line loadcell cannot be used. Built to withstand the harshest of environments in industries such as offshore oil and gas, and suitable for use in exposed situations.

Made from stainless steel and normally supplied with an anti-rotation plate. Available from 0.5t to 1500t.

Designed for use with Crosby Straightpoint's handheld plus digital display.

Marking:

Manufacturer: Straightpoint (UK) Limited,
123 Proxima Park
Houghton Avenue
Waterlooville
Hampshire
PO7 3DU, United Kingdom



This conformity is based upon compliance with the application of UK Statutory Instruments (and their amendments) and/or applicable technical standards; and, where applicable, or required, UK Notified Body certification.

UK Regulations: The described product above, is in conformity with:
The Supply of Machinery (Safety) Regulations 2008;
The Radio Equipment Regulations 2017;
The RoHS Regulations 2012.

Applicable Designated Standards: **The Supply of Machinery (Safety) Regulations 2008**
EN ISO 12100:2010 Safety of machinery - General principles for design - Risk assessment and risk reduction.

The Radio Equipment Regulations 2017
EN301 489-1 v2.2.3 (2019-11) ElectroMagnetic Compatibility (EMC) standard for radio equipment and services, Part 1: Common technical requirements.

EN301 489-3 v2.1.2 (2021-03) ElectroMagnetic Compatibility (EMC) standard for radio equipment and services, Part 3: Specific conditions for Short Range Devices (SRD) operating on frequencies between 9 kHz and 246 GHz;

EN301 489-17 v3.2.4 (2020-09) ElectroMagnetic Compatibility (EMC) standard for radio equipment and services, Part 17: Specific conditions for Broadband Data Transmission Systems;

BS EN 62368-1:2020+A11:2020 Audio/video, information and communication technology equipment. Safety requirements.

RoHS

EN IEC 63000:2018 Technical documentation for the assessment of electrical and electronic products with respect to the restriction of hazardous substances.

UK Notified Body: Self-declared.

Quality Management: ISO 9001:2015 Quality Management Systems Requirements: BSI Certificate No. FM 584438

Straightpoint (UK) Limited declare that under our sole responsibility for the manufacture and supply of the product detailed above, that it conforms to the essential health and safety requirements of the listed applicable UK Regulations and applicable designated technical Standards.

Technical Documentation Available From: Straightpoint (UK) Limited,
123 Proxima Park
Houghton Avenue
Waterlooville
Hampshire
PO7 3DU, United Kingdom

Signed, on behalf of Straightpoint (UK) Limited:

Name: Thomas Dietvorst
Position: General Manager
Date: August 30th 2023

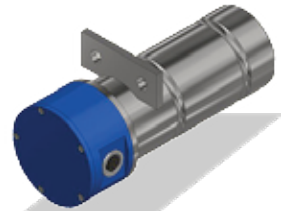
DECLARATION OF CONFORMITY

Product: Loadpin LP

Product Description: Designed for use where and end of line loadcell cannot be used. Built to withstand the harshest of environments in industries such as offshore oil and gas, and suitable for use in exposed situations.

Made from stainless steel and normally supplied with an anti-rotation plate. Available from 0.5t to 1500t.

Requires connection to Crosby Straightpoint's Handheld plus (HHP) or External Amplifier range (SA-3420) that can be configured to provide outputs such as 4-20mA, 0-10v, 0-5v for PLC or data logger integration.



Marking:

Manufacturer: Straightpoint (UK) Limited,
123 Proxima Park
Houghton Avenue
WaterlooVille
Hampshire
PO7 3DU, United Kingdom

This conformity is based upon compliance with the application of UK Statutory Instruments (and their amendments) and/or applicable technical standards; and, where applicable, or required, UK Notified Body certification.

UK Regulations: The described product above, is in conformity with:
The Supply of Machinery (Safety) Regulations 2008;
The Electromagnetic Compatibility Regulations 2016;
The RoHS Regulations 2012.

Applicable Designated Standards: **The Supply of Machinery (Safety) Regulations 2008**
EN ISO 12100:2010 Safety of machinery - General principles for design – Risk assessment and risk reduction.
The Electromagnetic Compatibility Regulations 2016
BS EN 55011:2016+A11:2020 Industrial, scientific and medical equipment. Radio-frequency disturbance characteristics. Limits and methods of measurement;
EN 61326-1:2013 Electrical equipment for measurement, control and laboratory use, EMC requirements, Part 1, General Requirements;
EN 61000-6- EN 61000-6-1:2019 – Electromagnetic compatibility (EMC), Part 6.1, Generic Standards Immunity for residential, commercial and light industrial environments.
The RoHS Regulations 2012
EN IEC 63000:2018 Technical documentation for the assessment of electrical and electronic products with respect to the restriction of hazardous substances.

UK Notified Body: Self-declared.

Quality Management: ISO 9001:2015 Quality Management Systems Requirements: BSI Certificate No. FM 584438

Straightpoint (UK) Limited declare that under our sole responsibility for the manufacture and supply of the product detailed above, that it conforms to the essential health and safety requirements of the listed applicable UK Regulations and applicable designated technical Standards.

Technical Documentation Available From: Straightpoint (UK) Limited,
123 Proxima Park
Houghton Avenue
WaterlooVille
Hampshire
PO7 3DU, United Kingdom

Signed, on behalf of Straightpoint (UK) Limited:

Name: Thomas Dietvorst
Position: General Manager
Date: August 30th 2023

General description and warnings	01-04
LP installation guide	05-06
LP performance	07-08
LP usage and calibration	09-10
LP wireless version	11
LP typical locations	12-13
Product aftercare	14-15
Service and calibration	16
Warranty	17



All products manufactured and sold by Straightpoint Ltd, are sold with the express understanding that the purchaser and user are thoroughly familiar with the safe use, proper care and application of the product.

Responsibility for the safe use, proper care and application of the product rests with the user.

Failure of the product can occur due to misapplication, abuse, overloading, or improper care and maintenance.

There are numerous government and industry standards that cover products manufactured and sold by Straightpoint Ltd. This document makes no attempt to reference all of them. We do reference standards that are most current like ASME B30.26-2010 "detachable load indicating devices."

Ratings shown in Straightpoint Ltd literature are only applicable to new or "as new condition" products.

Rated capacities define the greatest force or load a product can carry under usual or normal environmental conditions. Shock loading and extraordinary conditions must be taken into account when selecting products and product capacity.

Some of the products in the Straightpoint Ltd catalogues are designed for use with rigging hardware and components which could be supplied from several different manufacturers. It is crucial that you read and understand the literature from these manufacturers, as well as governmental standards and industry technical manuals.

The rated capacity, design factor and efficiency rating of each Straightpoint Ltd product may be affected by wear, misuse, overloading, corrosion, deformation, intentional alteration, age and other use conditions.

The recommended proof load on all items manufactured and sold by Straightpoint Ltd is twice the working load limit (WLL), unless otherwise shown. Proof testing is included on all Straightpoint Ltd load indicating products.



Tous les produits fabriqués et vendus par Straightpoint Ltd sont vendus à la condition expresse que l'acheteur et l'utilisateur soient parfaitement familiarisés avec l'utilisation sécuritaire, les soins appropriés et l'application du produit. La responsabilité de l'utilisation sécuritaire, des soins appropriés et de l'application du produit incombe à l'utilisateur. Une défaillance du produit peut être due à une mauvaise utilisation, un abus, une surcharge ou à un mauvais entretien ou maintenance. Il existe de nombreuses normes gouvernementales et industrielles qui couvrent les produits fabriqués et vendus par Straightpoint Ltd. Ce document ne fait pas référence à l'ensemble d'entre elles. Nous référons aux normes de référence qui sont les plus courantes comme ASME B30.26-2010 "appareil indiquant une charge."

Les notes indiquées dans les documentations émises par Straightpoint Ltd sont seulement applicables aux nouveaux produits ou en tant que nouvelle condition. Les capacités nominales définissent la force ou charge maximale que le produit peut supporter dans des conditions d'utilisation environnementales normales. Tout risque de secousse au chargement ou toute condition d'utilisation extraordinaire doivent être pris en compte lors de la sélection des produits et de la capacité du produit. Certains produits des catalogues Straightpoint Ltd catalogues sont conçus pour une utilisation avec des accessoires de montage et des composants qui pourraient être fournis par différents fabricants. Il est essentiel que vous lisiez et compreniez la documentation de ces fabricants, ainsi que des normes gouvernementales et les manuels techniques de l'industrie.

La capacité nominale, la conception et l'efficacité des facteurs de chaque produit fourni par Ltd Straightpoint, pourraient être affectées par l'usure, la mauvaise utilisation, surcharge, corrosion, déformation, altération intentionnelle, l'âge et autres conditions d'utilisation. La charge d'épreuve recommandée pour tous les articles fabriqués et vendus par Straightpoint Ltd est le double de la charge maximale d'utilisation (CMU), sauf indication contraire. La charge d'épreuve se retrouve sur tous les produits de la gamme Straightpoint Ltd.



Alle durch Straightpoint Ltd hergestellten und vertriebenen Produkte werden in dem ausdrücklichen Verständnis verkauft, dass Käufer und Nutzer vollständig mit der sicheren Nutzung als auch der sachgemäßen Behandlung und Anwendung des Produktes vertraut sind. Die Verantwortung für die sichere Nutzung als auch die sachgemäße Behandlung und Anwendung des Produktes liegt bei dem Nutzer.

Als Folge von unsachgemäßer Anwendung, Behandlung und Instandhaltung oder Überbelastung kann Produktversagen auftreten. Es gibt zahlreiche staatliche- und Industrienormen, die durch Straightpoint Ltd hergestellte und vertriebene Produkte betreffen. In diesem Dokument wird nicht der Versuch unternommen, auf jede dieser Normen zu verweisen, lediglich die gängigsten wie ASME B30.26-2010 „abnehmbare Geräte zur Lastanzeige“ werden erwähnt. In Prospekten von Straightpoint Ltd angegebene Leistungsangaben gelten nur für neue oder „im Neuzustand befindliche“ Produkte.

Die Tragfähigkeit bestimmt die maximale Belastung eines Produktes unter normalen Umgebungsbedingungen. Bei der Auswahl der Produkte und ihrer Belastbarkeit sind Schockbelastung und außergewöhnliche Umstände zu berücksichtigen.

Einige der Produkte in den Katalogen von Straightpoint Ltd sind für die Nutzung mit Spannungsequipment- und elementen entwickelt, die von mehreren verschiedenen Herstellern bereitgestellt sein könnten. Es ist äußerst wichtig, dass sie die Anleitungen dieser Hersteller lesen und verstehen, ebenso wie die entsprechenden staatliche Normen und technischen Handbücher.

Die Tragfähigkeit, der Berechnungsbeiwert und der Gütegrad eines jeden Produktes von Straightpoint Ltd können durch Verschleiß, falsche Anwendung, Überbelastung, Korrosion, Verformung, absichtliche Umänderung, Lebensdauer und andere Anwendungsumstände beeinflusst werden.

Die empfohlene Prüflast für alle von Straightpoint Ltd hergestellten und vertriebenen Posten entspricht dem Doppelten der zulässigen Tragfähigkeit, sofern nicht anders ausgewiesen. Bei allen Lastanzeige-Produkten von Straightpoint Ltd sind Prüftests inbegriffen.



Todos los productos que fabrica y vende Straightpoint Ltd se venden sabiendo explícitamente que el comprador y el usuario son plenamente conscientes de utilizar el producto de forma segura, cuidarlo y emplearlo.

El usuario es responsable de utilizarlo de forma segura, cuidarlo y emplearlo.

El mal funcionamiento del producto puede deberse a un uso indebido, abuso, sobrecarga, o cuidado y mantenimiento inadecuados. Hay múltiples estándares gubernamentales e industriales que incluyen los productos que fabrica y vende Straightpoint Ltd. En este documento no se pretende citar todos ellos. Si citamos estándares muy actuales como el ASME B30.26-2010 "dispositivos indicadores de carga desmontables."

Las valoraciones que aparecen en las publicaciones de Straightpoint Ltd solo se aplican a productos nuevos o "como nuevos".

Las capacidades valoradas definen la fuerza mayor o la carga que un producto puede soportar en condiciones ambientales normales. Se deben tener en cuenta las cargas de choque y las condiciones extraordinarias al seleccionar los productos y la capacidad de los mismos.

Algunos de los productos de los catálogos de Straightpoint Ltd están diseñados para su uso con hardware adicional y componentes que pueden facilitar distintos fabricantes. Es fundamental que lea y entienda las publicaciones de estos fabricantes, así como los estándares gubernamentales y los manuales técnicos de la industria.

La capacidad valorada, el diseño y el índice de eficiencia de los productos de Straightpoint Ltd puede verse afectado por el desgaste, un uso indebido, una sobrecarga, la corrosión, una deformación, una alteración intencionada, la edad y otras condiciones de uso.

La carga de prueba recomendada en todos los productos que fabrica y vende Straightpoint Ltd es dos veces el límite de carga de trabajo (WLL, según sus siglas en inglés) a menos que se indique lo contrario. Los ensayos están incluidos en todos los productos indicadores de carga de Straightpoint Ltd.



Tutti i prodotti fabbricati e venduti da Straightpoint Ltd, sono venduti con la condizione espressa che l'acquirente e l'utilizzatore abbiano molta familiarità con l'uso sicuro, la cura e l'applicazione del prodotto.

La responsabilità per l'uso sicuro, la cura e l'applicazione del prodotto spetta all'utente.

Problemi al prodotto possono verificarsi a causa di cattiva applicazione, abuso, sovraccarico, o mancanza di cura e manutenzione. Numerose sono le norme governative e di settore che coprono i prodotti fabbricati e venduti da Straightpoint Ltd. Il presente documento non fa riferimento a tutte le suddette; facciamo riferimento a standard più attuali come ASME B30.26-2010 "dispositivi che indicano carico removibile."

Valutazioni riportate relative a Straightpoint Ltd sono solo applicabili ai prodotti nuovi o in condizioni "come nuovi".

Le capacità riportate definiscono la forza o il carico più grande che un prodotto può trasportare in condizioni ambientali normali o solite. Condizioni straordinarie di carico devono essere prese in considerazione nel selezionare prodotti e capacità del prodotto.

Alcuni dei prodotti nei cataloghi Straightpoint Ltd sono progettati per l'uso per mezzo di accessori e componenti che potrebbero essere forniti da diversi produttori diversi. È fondamentale leggere e comprendere la documentazione di questi produttori, così come le norme governative ed i manuali tecnici del settore.

La valutazione della capacità nominale, fattore di sicurezza e di efficienza di ogni prodotto Straightpoint Ltd può essere influenzata da usura, uso improprio, sovraccarico, corrosione, deformazione, modifiche intenzionali, età e altre condizioni di utilizzo. Il carico di prova consigliato su tutti gli articoli prodotti e venduti da Straightpoint Ltd è il doppio del limite di carico di lavoro (WLL), se non diversamente indicato. Il test di prova è incluso su tutti i prodotti Straightpoint Ltd che indicano carico.



Alle producten die door Straightpoint Ltd zijn geproduceerd en verkocht, worden met het uitdrukkelijke begrip verkocht dat de koper en gebruiker zeer vertrouwd zijn met veilig gebruik, goede zorg en toepassing van het product. De verantwoordelijkheid voor veilig gebruik, goede zorg en toepassing van het product ligt bij de gebruiker.

Defecten van het product kunnen worden veroorzaakt door een verkeerde toepassing, misbruik, overbelasting of onjuiste zorg en onderhoud van het product.

Er zijn verschillende maatstaven van overheidswege en uit de industrie die betrekking hebben op producten geproduceerd en verkocht door Straightpoint Ltd. Dit document bevat geen verwijzing naar al deze maatstaven. We verwijzen naar maatstaven die het meest van toepassing zijn, zoals de ASME B30.26-2010 "afneembare belasting aanwijsapparatuur". Kwalificaties als aangegeven in naslagwerken van Straightpoint Ltd of Straightpoint Inc. zijn slechts van toepassing op nieuwe producten of producten die "zo goed als nieuw" zijn.

Nominale capaciteiten bepalen de grootste kracht of lasten die dit product kan dragen onder gebruikelijke of normale omgevingsomstandigheden. U dient tijdens het selecteren van producten en productcapaciteit rekening te houden met schokbelasting en buitengewone omstandigheden.

Enkele producten uit de catalogi van Straightpoint Ltd zijn ontworpen voor gebruik met tuigageapparatuur en –onderdelen, welke door verschillende producenten geleverd kunnen worden. Het is van cruciaal belang om de naslagwerken van deze producenten goed door te lezen en te begrijpen, evenals alle maatstaven van overheidswege en technische handleidingen uit de industrie.

De nominale capaciteit, ontwerpfactor en efficiëntie van elk product van Straightpoint Ltd kan worden beïnvloed door slijtage, misbruik, overbelasting, corrosie, misvorming, bewuste aanpassing, levensduur en andere gebruiksomstandigheden.

De aanbevolen proeflast voor alle artikelen geproduceerd en verkocht door Straightpoint Ltd is tweemaal de drempelwaarde voor de werklust (WLL), tenzij anderszins aangegeven. De proeflast is inbegrepen bij alle lastweegtoestellen van Straightpoint Ltd.



Вся продукция компаний Straightpoint Ltd продается с учетом того, что покупатель и пользователь хорошо знакомы с правилами безопасной эксплуатации и правильного ухода. Ответственность за безопасную эксплуатацию и надлежащий уход за приобретенными изделиями возлагается на пользователя.

Поломка изделия может произойти вследствие его неправильной эксплуатации, перегрузки или неправильного ухода и обслуживания.

Продукция компаний Straightpoint Ltd изготовлена в соответствии с множеством государственных и промышленных стандартов. В настоящем документе имеются ссылки только на некоторые (наиболее актуальные) из них, например: ASME B30.26-2010 «съемные устройства для взвешивания».

Характеристики, приведенные в документации компаний Straightpoint Ltd, применимы только к новым изделиям или изделиям, по состоянию сопоставимым с новыми.

Номинальная грузоподъемность представляет собой наибольшую силу или нагрузку, которую может выдержать изделие в обычных или нормальных условиях. При выборе изделий и их производительности следует учитывать возможные ударные нагрузки и чрезвычайные условия.

Некоторые из изделий в каталогах компаний Straightpoint Ltd предназначены для использования на такелажном оборудовании и элементах, которые могут поставляться различными производителями. Очень важно прочитать и понять содержание документации к такому оборудованию, а также государственных стандартов и технических руководств для промышленного оборудования.

На номинальную грузоподъемность, расчетный коэффициент и показатель эффективности каждого изделия компании Straightpoint Ltd, может влиять износ, неправильное использование, перегрузки, коррозия, деформация, преднамеренная модификация, старение и другие условия эксплуатации.

Рекомендуемая допустимая нагрузка на все изделия компаний Straightpoint Ltd в два раза превышает предельно допустимую нагрузку (ПДН), если не указано иное. Все изделия Straightpoint Ltd для взвешивания прошли контрольные испытания.



Όλα τα προϊόντα που κατασκευάζονται και πωλούνται από τις Straightpoint Ltd, πωλούνται με τη ρητή επιφύλαξη ότι ο αγοραστής και ο χρήστης είναι πλήρως εξοικειωμένοι με την ασφαλή χρήση, την κατάλληλη φροντίδα και την εφαρμογή του προϊόντος.

Η ευθύνη για την ασφαλή χρήση, την κατάλληλη φροντίδα και την εφαρμογή του προϊόντος επιβαρύνει το χρήστη.

Αποτυχία του προϊόντος μπορεί να οφείλεται στην κακή εφαρμογή, κακοποίηση, υπερφόρτωση ή ακατάλληλη φροντίδα και συντήρηση.

Υπάρχουν πολλά κυβερνητικά και βιομηχανικά πρότυπα που καλύπτουν τα προϊόντα που κατασκευάζονται και πωλούνται από τις Straightpoint Ltd. Το παρόν έγγραφο δεν κάνει καμία προσπάθεια να τα αναφέρει όλα. Γίνεται αναφορά στα πλέον πρόσφατα πρότυπα, όπως το ASME B30.26-2010 "συσκευές ένδειξης αποσπώμενου φορτίου".

Βαθμολογίες που παρουσιάζονται στη βιβλιογραφία των Straightpoint Ltd, ισχύουν μόνο για νέα προϊόντα ή προϊόντα «σαν καινούρια». Οι ονομαστικές ικανότητες καθορίζουν τη μεγαλύτερη δύναμη ή φορτίο που μπορεί να μεταφέρει ένα προϊόν υπό συνθήκες ή κανονικές περιβαλλοντικές συνθήκες. Πρέπει να λαμβάνονται υπόψη περιπτώσεις υπερβολικού φορτίου και εξαιρετικών συνθηκών κατά την επιλογή προϊόντων και χωρητικότητας προϊόντων.

Ορισμένα από τα προϊόντα στους καταλόγους των Straightpoint Ltd είναι σχεδιασμένα για χρήση με εξοπλισμό εξάρτησης και στατικά που μπορεί να προσφέρονται από διάφορους άλλους κατασκευαστές. Είναι σημαντικό να διαβάσετε και κατανοήσετε τη βιβλιογραφία που προσφέρουν αυτοί οι κατασκευαστές, καθώς και τα κυβερνητικά πρότυπα και βιομηχανικά τεχνικά εγχειρίδια.

Η ονομαστική χωρητικότητα, ο συντελεστής σχεδιασμού και η ονομαστική τιμή αποτελεσματικότητας κάθε προϊόντων των Straightpoint Ltd μπορεί να επηρεαστούν από παράγοντες όπως φορτά, κακή χρήση, υπερφόρτωση, διάβρωση, παραμόρφωση, εκτεταμένη αλλοίωση, ηλικία και άλλες συνθήκες χρήσης.

Το συνιστάμενο φορτίο απόδειξης για όλα τα στοιχεία που κατασκευάζονται και πωλούνται από τις Straightpoint Ltd είναι διπλάσιο του ορίου φορτίου εργασίας (WLL), εκτός αν ορίζεται διαφορετικά. Αποτελέσματα δοκιμαστικού ελέγχου περιλαμβάνονται σε όλα τα προϊόντα ένδειξης φορτίου των Straightpoint Ltd.



Alle produkter produceret og solgt af Straightpoint Ltd, er solgt med den utrykkelige forståelsen at køberen og brugeren er godt kjennt med trygg bruk, riktig behandling og bruk av produktet.

Ansvar for trygg bruk, riktig behandling og bruk av produktet hviler på brukeren.

Produktsvikt kan oppstå på grunn av misbruk, feilaktig bruk, overbelastning, eller feilaktig behandling og vedlikehold.

Det finnes flertallige statlige og industristandarder som dekker produkter produsert og solgt av Straightpoint Ltd. Dette dokumentet har ikke som hensikt å henvisе til dem alle. Vi henviser til standarder som er mest oppdaterte slik som ASME B30.26-2010 "avtakbar last indiserende utstyr."

Klassifiseringer vist i Straightpoint Ltd litteratur gjelder kun nye eller produkter i "som ny tilstand".

Klassifiserte kapasiteter definerer det største trykk eller belastningen et produkt kan bære under vanlige eller normale miljømessige betingelser. Slagbelastning eller ekstraordinære betingelser må tas i betraktning ved valg av produkter og produktkapasitet.

Noen av produktene i Straightpoint Ltd katalogene er designet for bruk med rigging hardware og komponenter som kan leveres fra flere forskjellige produsenter. Det er viktig at du leser og forstår litteraturen fra disse produsentene, så vel som statlige standarder og industritekniske håndbøker.

Den klassifiserte kapasiteten, designfaktoren og effektivitetsgraden av hvert Straightpoint Ltd produkt kan være påvirket av slitasje, misbruk, overbelastning, korrosjon, deformering, tilsiktet alterasjon, alder og andre bruksbetingelser.

Den anbefalte prøvelastningen på alle elementene produsert og solgt av Straightpoint Ltd, er to ganger arbeidsbelastningsgrensen (WLL) (ABG), om ikke annet er vist. Prøvelastning er inkludert på alle Straightpoint Ltd lastindiserende produkter.



Alla produkter som tillverkas och säljs av Straightpoint Ltd säljs med uttryckliga hänvisningar om att köparen och användaren har god kännedom om säker användning, skötsel och tillämpningen av produkten. För säker användning, skötsel och tillämpningen av produkten ansvarar användaren.

Felaktig användning, missbruk, överbelastning eller felaktig skötsel och underhåll kan leda till att produkten fördäras.

Det finns många statliga standarder och branschstandarder som omfattar produkterna som tillverkas och säljs av Straightpoint Ltd. Detta dokument försöker inte referera till dem alla. Vi refererar till den lämpligaste standarden ASME B30.26-2010 för "löstagbara och belastningsindikerande enheter". Värderna som anges i litteratur från Straightpoint Ltd gäller endast nya produkter eller produkter i "nyskick".

Den nominella kapaciteten definierar den största kraften eller lasten en produkt kan bära under vanliga och normala miljöförhållanden. Chockbelastning och exceptionella förhållanden måste beaktas vid val av produkter och produktkapacitet.

Några av produkterna som visas i katalogerna från Straightpoint Ltd är utformade för användning med rigghårdvara och komponenter som kan levereras från flera olika tillverkare. Det är viktigt att du läser och förstår litteraturen från dessa tillverkare samt statliga standarder och industritekniska handböcker.

Den nominella kapaciteten, utformningsfaktorn och verkningsgraden för varje produkt från Straightpoint Ltd kan påverkas av slitage, missbruk, överbelastning, korrosion, deformation, avsiktlig förändring, ålder och annan användning. Den rekommenderade provbelastningen på alla enheter som tillverkas och säljs av Straightpoint Ltd är dubbelt så stor som den maximala arbetslasten, om inte annat anges. Provtestning görs på alla belastningsindikerade produkter från Straightpoint Ltd.

普通话

由“速得有限公司”（Straightpoint Ltd）制造和销售的所有产品，销售时都要求明确确认，产品的购买方和使用方完全熟悉产品的安全使用、恰当维护及正确应用。产品使用方有责任安全使用、恰当维护和正确应用本产品。

不恰当地应用、滥用、超负荷使用产品，或者产品的维护保养方式不正确，都有可能导导致产品功能失效。

速得有限公司制造和销售的产品所适用的政府和行业标准虽然很多，但本使用手册只引用了那些最新的规范和标准（如美国机械工程师协会 ASME B30.26-2010 可拆卸式负荷指示设备标准），并未参照所有这些相关标准。

速得有限公司的产品手册和资料中列出的设备额定载荷，仅适用于新产品或性能无异于全新状态的已用产品。

额定载荷能力是指在常规或正常环境条件下产品或设备所能承载的最大外力或负荷。在选择产品类型及其载荷能力水平时，必须考虑冲击载荷及一些极端的应用状况。

速得产品目录中的一些产品，在设计上要求与吊索具和辅件等部件配合使用，而这些部件可能由其他制造商生产。因此，客户应当认真阅读并理解这些制造商提供的产品资料以及政府相应标准和行业技术规范。这一点非常重要。

所有速得公司制造和销售的产品，其额定载荷能力、设计系数（安全系数）和效率级别可能会受到诸多因素的影响，包括设备磨损、错误使用、过载、腐蚀、变形、人为构造改变、老化以及其他一些使用状况。

除非另有说明，对于所有由速得公司制造和销售的产品，建议的验证载荷为产品最大工作载荷（WLL）的两（2）倍。速得公司制造的所有负荷指示产品，在出售前都要经过载荷验证测试。

العربية

جميع المنتجات المصنوعة والمباعة من شركتي Straightpoint Ltd. تُباع بفهم واضح بأن المشتري والمستخدم على دراية كبيرة بالاستخدام الآمن للمنتج والعناية الملائمة به وباستعماله.

يحمل المستخدم مسؤولية الاستخدام الآمن والعناية الملائمة والاستعمال.

قد يفسد المنتج بسبب سوء الاستعمال وسوء الاستخدام والحمولة الزائدة والعناية والصيانة غير الملائمتين.

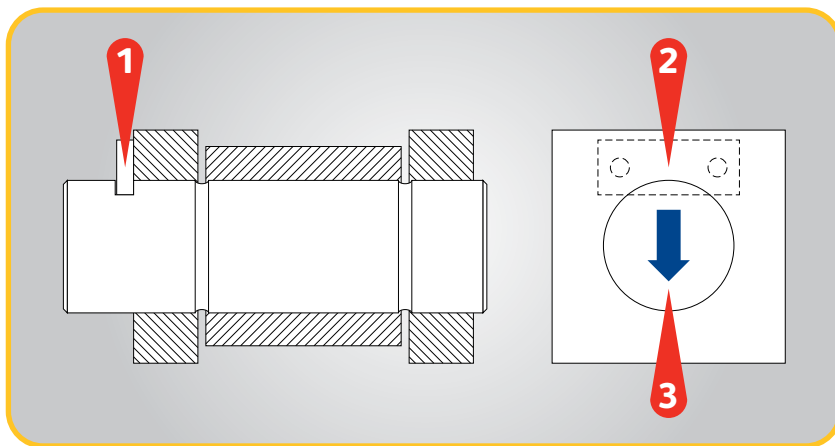
هناك الكثير من المعايير الحكومية والصناعية التي تغطي المنتجات المصنوعة والمباعة من Straightpoint Ltd. لا نسمي هذه الوثيقة على الإطلاق للإشارة إلى جميع هذه المعايير. لكننا نشير إلى المعايير السائدة في الوقت الحالي مثل ASME B30.26-2010 "أجهزة بيان الحمل القابلة للفصل".

تنطبق القيم المشار إليها في مستندات Straightpoint Ltd. على المنتجات الجديدة أو التي هي "بحالة الجديدة". يجب وضع التحميل الجانبي والظروف الاستثنائية في الاعتبار عند اختيار المنتج وسعته.

بعض المنتجات المبنية في كتالوجات Straightpoint Ltd مصممة للاستخدام مع معدات ومكونات رفع يمكن الحصول عليها من مصممين مختلفين. من الأهمية بمكان أن تقرأ المستندات الواردة من هؤلاء المصنعين وتفهمها بالإضافة إلى المعايير الحكومية والأدلة الفنية في الصناعة.

قد تتأثر السعة المقدرة وعامل تصميم وتقدير سعة كل منتج من منتجات Straightpoint Ltd. بالبيانات الناتجة عن الاستخدام وسوء الاستعمال والحمولة الزائدة والصدا والتآكل والتغير المتعمد والعمر وظروف الاستخدام الأخرى.

يُقدر حمل الصمود الموصى به في كل المنتجات المصنوعة والمباعة من قبل Straightpoint Ltd. بضغف حد حمل العمل ما لم يتم الإشارة إلى خلاف ذلك. خضعت جميع منتجات بيان الحمل التي تنتجها Straightpoint Ltd. لاختبارات الصمود.



This is an installation guidance for the Straightpoint range of Load pins.

It is recommended to follow the installation guide for better performance and accuracy of the load pins.

Most load pins are made to order and this guide is generic and so standard engineering and rigging practices must be followed in addition to this guide.

While installing the load pin one of the important things to follow is the orientation of the load pin. The load pin will measure accurately only when the orientation is correct. To ensure this, one should check for the arrow symbol **1** on the load pin which will indicate the direction of the load acting on the pin. Once the orientation is fixed, next step is to keep the load pin intact in position without any rotation. For all the Straightpoint load pins an anti-rotation plate is supplied **1**. Using suitable fasteners fix the anti-rotation plate on to the devis/fixed structure where load pin is being installed **2**.



Vous trouverez ici des directives pour l'installation de la gamme d'axes dynamométriques de Straightpoint.

Nous vous recommandons de vous conformer au guide d'installation pour de meilleures performances et une plus grande précision des axes dynamométriques.

La plupart des axes dynamométriques sont fabriqués sur commande et ce guide est générique, vous devez donc respecter les règles d'ingénierie et de montage standard en complément de ce guide.

Lors de l'installation de l'axe dynamométrique, il est très important de respecter son orientation. En effet, les mesures ne seront précises qu'avec une orientation correcte. Pour garantir ce point, vous devez contrôler la flèche **1** présente sur l'axe dynamométrique et qui indiquera la direction de la charge exercée sur l'axe. Une fois l'orientation établie, vous devez ensuite vous assurer de maintenir la position de l'axe dynamométrique sans aucune rotation. Une plaque anti-rotation est fournie avec tous les axes dynamométriques Straightpoint **1**. L'utilisation de fixations appropriées permettra de lier la plaque anti-rotation à la chape/structure fixe où est installé l'axe dynamométrique **2**.



Die ist eine Installationsanleitung für die Lastmessbolzen-Serie von Straightpoint.

Für bessere Leistung und Genauigkeit der Lastmessbolzen empfehlen wir, das Handbuch zu befolgen.

Die meisten Lastmessbolzen werden auf Bestellung angefertigt. Diese Anleitung ist allgemeingültig gehalten, daher müssen zusätzlich zu dieser Anleitung maschinenbauliche und Befestigungsnormen eingehalten werden.

Bei der Installation des Lastmessbolzens ist die Ausrichtung des Lastmessbolzens ein wichtiges Kriterium. Der Lastmessbolzen misst nur dann präzise, wenn die Ausrichtung stimmt. Um dies zu gewährleisten, sollte man das Pfeilsymbol **1** am Lastmessbolzen prüfen, das die Richtung der Belastung auf den Bolzen anzeigt. Wenn die Ausrichtung festgelegt ist, muss der Lastmessbolzen in seiner Position ohne jegliche Drehung intakt gehalten werden. Für alle Straightpoint-Lastmessbolzen wird eine rotationshemmende Scheibe mitgeliefert **1**. Befestigen Sie die rotationshemmende Scheibe mit passenden Halterungen am Bügel/Halterung, an der der Lastmessbolzen montiert wird **2**.



Esta es una guía de instalación para la línea de Load Pins (pernos de carga) de Straightpoint.

Se recomienda seguir la guía de instalación para que los pernos de carga tengan un mejor rendimiento y mayor precisión.

La mayoría de los pernos de carga se producen a pedido y esta guía es de carácter genérico, de modo que deben seguirse las prácticas estándares de ingeniería y aparejo además de esta guía.

Al momento de instalar el perno de carga, uno de los aspectos importantes es su orientación. El perno de carga llevará a cabo mediciones precisas únicamente cuando la orientación sea la correcta. A fin de garantizar esto, se debe verificar el símbolo de la flecha **1** del perno de carga que indicará la dirección de la carga que actúa sobre el perno. Después de fijar la orientación, el siguiente paso es mantener el perno de carga intacto en su lugar, sin que se produzca ningún tipo de rotación. Todos los pernos de carga de Straightpoint incluyen una placa anti rotación **1**. Se deben utilizar elementos de sujeción adecuados para fijar la placa anti rotación a la horquilla/estructura fija donde se está instalando el perno de carga **2**.



La presente è una guida all'installazione per la gamma di spinotti di carico Straightpoint.

Si raccomanda di seguire la guida all'installazione per una migliore performance e maggiore accuratezza degli spinotti di carico.

La maggior parte degli spinotti di carico sono fatti su misura e la presente guida è generica, pertanto devono essere seguiti, oltre a questa guida, anche concetti di ingegneria standard e procedure di prassi.

Nell'installazione dello spinotto di carico una delle cose più importanti da seguire è l'orientamento dello spinotto di carico. Lo spinotto di carico misurerà accuratamente solo se l'orientamento è corretto. Per far sì che ciò accada, è opportuno controllare il simbolo con freccia **1** sullo spinotto di carico che indicherà la direzione del carico sullo spinotto. Una volta fissato l'orientamento, il passo successivo è tenere lo spinotto di carico intatto in posizione senza alcuna rotazione. Per tutti gli spinotti di carico Straightpoint viene fornita una piastra anti rotazione **1**. L'utilizzo di elementi di fissaggio fissa la piastra anti rotazione alla struttura fissa/forcella dove viene installato lo spinotto di carico **2**.



Dit is een installatieleidraad voor de serie lastpennen van Straightpoint.

Het is raadzaam om de installatiehandleiding te volgen voor betere prestaties en nauwkeurigheid van de lastpennen.

De meeste lastpennen zijn volgens de specificaties van de order gemaakt. Deze handleiding is algemeen en dus moeten standaardengineering- en takelwerkwijzen worden gevolgd naast deze handleiding.

Tijdens de installatie van de lastpen moet de richting van de pen worden aangehouden. De lastpen meet alleen nauwkeurig, wanneer de richting correct is. Controleer het pijlsymbool ❶ op de lastpen dat de richting van de last die op de pen inwerkt, aangeeft om dit te waarborgen. Wanneer de richting eenmaal is vastgelegd, is de volgende stap om de lastpen op zijn plaats in tact te houden zonder rotatie.

Voor alle lastpennen van Straightpoint wordt een antirotatieplaat meegeleverd ❷. Bevestig de antirotatieplaat met gebruik van geschikte bevestigingsmiddelen op de harp/vaste constructie waar de lastpen wordt geïnstalleerd ❸.



Настоящий документ представляет собой инструкцию по установке штифтов измерения нагрузки Straightpoint.

Для максимальной эффективности и точности работы штифтов измерения нагрузки рекомендуется соблюдать приведенные инструкции.

Как правило, штифты измерения нагрузки изготавливаются на заказ, поэтому данное руководство является универсальным. Соблюдайте стандартные правила и процедуры строповки, не описанные в данном документе.

При установке штифта следите за его направлением. Изделие будет давать точные показания только при правильной установке. Найдите стрелку ❶ на штифте: она показывает, в каком направлении должна прилагаться нагрузка. Далее крайне важно, чтобы штифт был надежно зафиксирован и не вращался. В комплект поставки всех штифтов измерения нагрузки Straightpoint входит стопорная пластина ❷, не дающая изделию вращаться. Закрепите пластину на скобе/опорной конструкции, на которую устанавливается штифт ❸, с помощью подходящих крепежных элементов.



To parón éinaí énaς οδηγός εγκατάστασης για τη σειρά πείρων φορτίου της Straightpoint.

Συνιστάται να ακολουθείτε τον οδηγό εγκατάστασης για καλύτερη απόδοση και ακρίβεια των πείρων φορτίου.

Οι περισσότεροι πείροι φορτίου κατασκευάζονται κατόπιν παραγγελίας και αυτός είναι ένας γενικός οδηγός, επομένως πρέπει να ακολουθούνται οι τυπικές πρακτικές μηχανικής και οπλισμού επιπέδου του οδηγού.

Κατά την εγκατάσταση του πείρου φορτίου, ένα σημαντικό στοιχείο που πρέπει να τηρείτε είναι ο προσανατολισμός του πείρου φορτίου. Ο πείρος φορτίου θα μετρά με ακρίβεια μόνο όταν ο προσανατολισμός είναι ορθός. Για να το εξασφαλίσετε, θα πρέπει να ελέγχετε το σύμβολο βέλους ❶ στον πείρο φορτίου, το οποίο θα υποδεικνύει την κατεύθυνση του φορτίου στον πείρο. Όταν ο προσανατολισμός είναι σωστός, το επόμενο βήμα είναι η διατήρηση της θέσης του πείρου φορτίου χωρίς τυχόν περιστροφή. Για όλους τους πείρους φορτίου Straightpoint παρέχεται μία πλάκα μη περιστροφής ❷. Χρησιμοποιώντας κατάλληλους συνδέσμους σταθεροποιήστε την πλάκα μη περιστροφής στο άγκιστρο/σταθερή κατασκευή, όπου εγκαθίσταται ο πείρος φορτίου ❸.



Dette er en installasjon veiledning for Straightpoint serien med Load Pins.

Det anbefales å følge installasjonsveiledningen for beste ytelse og nøyaktighet med Load Pins' ene.

De fleste Load Pins er laget på bestilling og denne guiden er generisk og så vanlig teknisk og riggings praksis må følges i tillegg til denne veiledningen.

Ved installasjon av Load Pin' en er en av viktigste tingene å følge, orienteringen av Load Pin' en. Load Pin' en vil kun måle nøyaktig når orienteringen er korrekt. For å sikre dette bør man se etter pilsymbolet ❶ på Load Pin' en som indikerer retningen av lasten som virker på pinnen. Når orientering er fastsatt, er neste trinn å holde Load Pin' en i ro i posisjon uten rotasjon av noe slag. For alle Straightpoint Load Pin' ene medfølger det en antirotasjonsplate ❷. Ved hjelp av egnede festemidler festes antirotasjonsplaten på sjakkell / fast struktur hvor Load Pin' en blir installert ❸.



Detta är en installationsvägledning för Straightpoint-sortimentet med belastningsstift.

Det rekommenderas att man följer installationsvägledningen för bättre prestanda och precision för belastningsstiften.

De flesta belastningsstift är måttbeställda och detta är allmänna anvisningar, så standardpraxis för tekniska och riggningsrelaterade åtgärder bör iaktas utöver dessa anvisningar.

Vid installation av belastningsstiftet är något av det viktigaste att man är uppmärksam på belastningsstiftets riktning. Belastningsstiftet kommer endast att mäta med precision när riktningen är korrekt. För att säkerställa detta, bör man leta upp pilsymbolen ❶ på belastningsstiftet som anger riktningen för belastningen som stiftet utsätts för. Så snart som riktningen är fastställd, är nästa steg att bibehålla stiftet fixerat på dess position utan någon rotation. Alla Straightpoint-belastningsstift levereras med en antirotationsplatta ❷. Använd lämpliga fästarrangeringar och fixera antirotationsplattan på den klyka/struktur där belastningsstiften ska installeras ❸.



这是一本关于 Straightpoint 载销系列产品的安装指南。

建议遵守安装指南，以提高载销的性能和精度。

大多数载销均按照订单进行定制，本指南为一般说明，因此，除本指南外还必须遵守标准工程和索具惯例。

在安装载销时，其中一项需遵守的重要事项就是载销的方向。载销只有在正确方向的情况下才能精确测量。为了确保这一点，应该检查载销上的箭头符号 ❶。它会指示作用在载销上的载荷方向。在确定方向后，下一步就是使载销保持原位，不出现任何旋转。所有 Straightpoint 载销均提供防旋转板 ❷。使用合适的紧固件将防旋转板固定到安装载销处的U形夹/固定结构上 ❸。

普通话

Straightpoint مجموعة دبابيس تحميل

لدليل تركيب دبابيس تحميل. ينصح باتباع دليل التركيب من أجل الحصول على أداء أفضل و دقة أعلى لدبابيس التحميل. تصنع معظم دبابيس التحميل حسب الطلب، وهذا الدليل عام، لذا يجب اتباع الممارسات القياسية الهندسية والتجهيز بالإضافة إلى هذا الدليل. وضع الدبوس في الاتجاه الصحيح هو أحد أهم الأمور التي يجب اتباعها أثناء تركيبه. إن بقيس دبوس التحميل بدقة إلا إذا وضع في الاتجاه الصحيح، للتأكد من ذلك يرجى التحقق من وجود رمز السهم ❶ على دبوس التحميل والذي يشير إلى اتجاه الحمل على الدبوس. بعد التأكد من صحة الاتجاه تكون الخطوة التالية هي إبقاء دبوس التحميل سليماً في مكانه دون أي دوران. جميع دبابيس تحميل Straightpoint مزودة بلوحة مضادة للدوران ❷. باستخدام مثبتات مناسبة قم بتثبيت اللوحة المضادة للدوران في الهيكل المشعب/ الثابت الذي يتم تثبيت دبوس التحميل فيه ❸.

العربية

A rigid support structure is required to minimise the bending forces imparted on to the pin. The pin works by sensing the shear, and any bending stresses within the pin will degrade its overall accuracy. The fit of the pin within its mating holes is important in the overall performance of the load pin. For an "optimum" range pin, an H7, g6 fit would normally be recommended, however this is not always achievable in the field and some slight loss of repeatability and linearity can normally be tolerated at the expense of an "easy to fit" requirement.



Bearing stresses and overall proportions of the pin are always taken into consideration with the design of a new pin. We always endeavour to optimise the performance of any pin (within its service structure) given the restraints placed upon it. The key consideration in the performance of any load pin is that if there is no change in the geometry of the pin, the loading structure or loading conditions, throughout the range of the pin (0-100%), then a high performance can be expected. Even minimal bending of the structure, changes in bearing areas or bending of the load pin (if highly loaded) will have an effect on performance, however, repeatability is unlikely to be affected.

Une structure de support rigide est nécessaire pour minimiser les forces de torsion exercées sur l'axe. L'axe opère en détectant les cisaillements, et toute contrainte de torsion sur l'axe détériorera sa précision globale. Il est important que l'axe s'ajuste correctement dans les trous de couplage pour la bonne performance globale de l'axe dynamométrique. Pour un maintien « optimal », un jeu H7, g6 serait normalement recommandé, ce n'est toutefois pas toujours possible sur le terrain, et une légère perte de répétabilité et linéarité peut généralement être tolérée aux dépens de l'exigence d'un montage facile.



Les contraintes de soutien et les proportions globales de l'axe sont toujours prises en compte lors de la conception d'un nouvel axe. Nous nous efforçons toujours d'optimiser la performance de chaque axe (au sein de sa structure de service) en fonction des contraintes exercées sur celui-ci. Pour une bonne performance d'un axe dynamométrique, il est nécessaire de s'assurer qu'il n'y ait aucun changement dans la géométrie de l'axe, la structure de charge ou les conditions de charge, sur la portée de l'axe (0-100%). Si cette considération est respectée, alors une haute performance peut être atteinte. Une torsion même minime de la structure, des changements dans les zones de maintien ou une torsion de l'axe dynamométrique (en cas de forte charge) auront un effet sur la performance, mais la répétabilité n'est toutefois pas susceptible d'être affectée.

Zur Minimierung der Biegekräfte, die auf den Bolzen einwirken, ist eine feste Halterung erforderlich. Der Bolzen misst die Abscherung, und alle Biegekräfte innerhalb des Bolzens beeinträchtigen seine Präzision insgesamt. Der Sitz des Bolzens in seinen Stecklöchern ist für die Gesamtleistung des Lastmessbolzens wichtig. Für einen Bolzen mit idealer Messbreite empfiehlt sich normalerweise eine Passung von H7, g6, allerdings ist das in der Praxis nicht immer zu erreichen, und ein leichter Verlust von Wiederholbarkeit und Linearität ist normalerweise zu verschmerzen, damit der Bolzen einfach einzusetzen ist.



Belastung und Gesamtmaße des Bolzens werden bei der Anfertigung eines neuen Bolzens stets in Betracht gezogen. Wir sind stets bemüht, die Leistung jedes Bolzens innerhalb seines Einsatzumfelds und unter Berücksichtigung der gegebenen Einschränkungen zu optimieren. Bei der Leistung eines Lastmessbolzens ist vor allem anderen zu bedenken, dass eine hohe Leistung zu erwarten ist, sofern die Geometrie des Bolzens, der Belastungshalterung oder Belastungsbedingungen innerhalb der Bolzenserie unverändert bleiben. Schon kleine Biegung der Halterung, Veränderungen in den Belastungszonen oder eine Biegung des Lastmessbolzens (bei starker Belastung) können sich auf die Leistung auswirken; die Wiederholbarkeit wird allerdings kaum beeinträchtigt sein.

Se necesita una estructura de soporte rígida a fin de minimizar las fuerzas de flexión que se ejercen sobre el perno. El funcionamiento del perno se basa en medir el esfuerzo constante, y cualquier fuerza de flexión dentro del perno disminuirá su precisión total. El ajuste del perno dentro de sus orificios de acople es importante para el rendimiento general del perno de carga. Para lograr un rango "óptimo" del perno, normalmente se recomienda un ajuste H7, g6. Sin embargo, esto no siempre es viable en el campo de aplicación y se puede tolerar, en general, una leve pérdida de repetibilidad y linealidad en pos de una mayor facilidad de ajuste.



Tanto las tensiones de soporte como las proporciones generales del perno se tienen en cuenta en el diseño de un perno nuevo. Siempre nos esforzamos por optimizar el rendimiento de todos los pernos (en su estructura de servicio) dentro de las limitaciones que los condicionan. El aspecto central que se debe considerar en cuanto al rendimiento de cualquier perno de carga es que si no hay cambios en la geometría del perno, la estructura de carga o las condiciones de carga, en todo el rango del perno (del 0 al 100%), cabe esperar entonces un alto nivel de rendimiento. La flexión de la estructura, los cambios en las áreas de flexión o la flexión del perno de carga (si está muy cargado), incluso si son mínimos, afectarán el rendimiento; no obstante, es poco probable que se afecte la repetibilidad.

Una struttura di supporto rigida è richiesta per minimizzare le forze di torsione impartite sullo spinotto. Lo spinotto funziona rilevando il taglio, e qualsiasi stress dovuto a torsione all'interno dello spinotto ne comprometterà l'accuratezza generale. La misura dello spinotto all'interno dei suoi fori di accoppiamento è importante per la performance generale dello spinotto di carico. Per uno spinotto dall'intervallo "ottimo", un H7, viene normalmente raccomandata una misura g6, tuttavia questo non è sempre possibile nel settore e può essere normalmente tollerata una leggera perdita di ripetibilità e linearità alle spese di un'esigenza di facilità di inserimento.



La resistenza agli stress e le proporzioni generali dello spinotto sono sempre tenute in considerazione nella progettazione di un nuovo spinotto. Ci impegniamo sempre per ottimizzare la performance di qualsiasi spinotto (all'interno della sua struttura di servizio) dati i limiti posti. La considerazione chiave nella performance di qualsiasi spinotto è che se non avviene alcun cambiamento nella geometria dello spinotto, la struttura portante o le condizioni di carico, attraverso l'intervallo dello spinotto (0-100%), allora ci si può aspettare una performance elevata. Anche la minima torsione della struttura, cambiamenti nelle superfici di supporto o torsione dello spinotto di carico (se sottoposto a carico elevato) avranno un effetto sulla performance, tuttavia, è improbabile che influiscano sulla ripetibilità.

Er is een stijve steunconstructie vereist om de buigkrachten te minimaliseren die op de pen worden overgebracht. De pen werkt door het detecteren van de schuifspanning en enige buigspanning binnenin de pen verlaagt zijn totale nauwkeurigheid. De passing van de pen in zijn montagegaten is belangrijk voor de totale prestaties van de lastpen. Voor een pen met een "optimaal" bereik, een H7, zou een g6-bevestiging doorgaans worden aanbevolen. Dit is in het veld echter niet altijd mogelijk en een gering verlies van reproduceerbaarheid en lineariteit kan normaler worden getolereerd ten koste van een "easy to fit" (gemakkelijk te bevestigen) vereiste.



Met oplegspanningen en de totale proporties van de pen wordt bij het ontwerp van een nieuwe pen altijd rekening gehouden. Wij streven altijd naar de optimalisatie van iedere pen (binnen zijn servicestructuur) gezien de begrenzingen die deze ondergaat. De belangrijkste overweging bij de prestaties van een lastpen is dat, als er geen verandering in de geometrie van de pen, de belastingconstructie of de belastingomstandigheden optreedt in het volledige bereik van de pen (0-100%), hoge prestaties mogen worden verwacht. Zelfs een minimale buiging van de constructie, wijzigingen in opleggebieden of buiging van de lastpen (onder zware belasting) zijn van invloed op de prestaties. Het is echter onwaarschijnlijk dat de reproduceerbaarheid wordt aangetast.

Жесткая опорная конструкция необходима, чтобы снизить воздействие на штифт изгибающих сил. Принцип работы штифта основан на считывании усилия сдвига, поэтому воздействие любой изгибающей силы снижает точность работы изделия. Посадка штифта в крепежные отверстия крайне важна для эффективной работы изделия. Обычно для оптимальной работы штифта рекомендуется использовать поля допуска H7, G6. К сожалению, это не всегда возможно, из-за чего немного снижается воспроизводимость результатов и линейность. Тем не менее, данная проблема компенсируется простотой установки изделия.



При разработке нового штифта всегда учитывается удельная нагрузка на подшипники и общие габариты изделия. Мы стремимся оптимизировать работу всех штифтов (в пределах возможного) с учетом всех применимых ограничений. Ключевой фактор для работы любого штифта — наличие изменений в его геометрии. При отсутствии изменений в геометрии изделия, а также в параметрах нагрузки во всем диапазоне работы штифта (0–100%) эффективность работы штифта будет достаточно высокой. Изменения в нагрузке на подшипник или изгиб штифта (даже минимальные) заметно влияют на эффективность работы изделия, и в редких случаях — на воспроизводимость результатов.

Απαίτείται μια άκαμπτη κατασκευή στήριξης για την ελαχιστοποίηση των δυνάμεων κάμψης που μεταδίδονται στον πείρο.



Ο πείρος λειτουργεί ανιχνεύοντας τη διαμηκτική τάση και οποιοσδήποτε τάσεις κάμψης στον πείρο θα υποβαθμίσουν τη συνολική του ακρίβεια. Η εφαρμογή του πείρου στις όπες συναρμογής του είναι σημαντική για τη συνολική απόδοση του πείρου φορτίου. Για έναν πείρο "βέλτιστου" εύρους συνιστάται μια προσαρμογή H7, g6 υπό φυσιολογικές συνθήκες. Ωστόσο, αυτό δεν είναι πάντα εφικτό στο πεδίο και μια μικρή απώλεια επαναληψιμότητας και γραμμικότητας μπορεί να είναι ανεκτή εις βάρος μιας απαίτησης "εύκολης προσαρμογής".

Οι τάσεις εφεδράνου και οι συνολικές αναλογίες του πείρου λαμβάνονται πάντα υπόψη στη σχεδίαση ενός νέου πείρου. Προσπαθούμε πάντα να βελτιστοποιούμε την απόδοση κάθε πείρου (εντός της δομής υπηρεσιών του) λαμβάνοντας υπόψη τους περιορισμούς που επιβάλλονται σε αυτόν. Βασικό σημείο αναφοράς με την απόδοση κάθε πείρου είναι το γεγονός πως εάν δεν υπάρχει αλλαγή στη γεωμετρία του πείρου, στη δομή φόρτωσης ή στις συνθήκες φόρτωσης, σε όλο το εύρος του πείρου (0-100%), τότε μια υψηλή απόδοση είναι αναμενόμενη. Ακόμη και μια ελάχιστη κάμψη της δομής, αλλαγές στις περιοχές έδρασης ή κάμψη του πείρου φορτίου (σε περίπτωση υψηλού φορτίου), θα έχουν επίπτωση στην απόδοση, ωστόσο, η επαναληψιμότητα δύσκολα θα επηρεαστεί.

En stiv bærekonstruksjon er nødvendig for å minimere bøyekrefter som påføres pinnen. Pinnen fungerer ved å føle



skjær, og bøyepeninger i pinnen vil forringe dens totale nøyaktighet. Passformen av pinnen innenfor hullene de skal inn i er viktig for den totale ytelsen av Load Pin'en. For en "optimal" pinne, vill en H7/ g6 toleranse normalt bli anbefalt, men dette er ikke alltid er oppnåelig i felten, og noen små tap av reproduserbarhet og linearitet kan normalt tolereres på bekostning av et "enkel å montere" krav.

Bærestress og generelle proporsjoner hos pinnen tas alltid hensyn til ved utformingen av en ny pinne. Vi forsøker alltid å optimalisere ytelsen på en pinne (innen sin arbeids-struktur) gitt de begrensninger lagt på den. Nøkkelvurderingen i utførelsen av enhver Load pin er at hvis det ikke er noen endring i geometrien til pinnen, lastestruktur eller belastningsforhold, gjennom pinnens arbeidsområde (0 -100 %), kan en høy ytelse forventes. Selv ved minimal bøyning av strukturen, vil endringer i bæreoemråder eller bøyning av load pin'en (hvis høyt belastet) ha en innvirkning på ytelsen, men det er lite sannsynlig at repeterbarheten påvirkes.

En styv stödstruktur krävs för att minimera böjkräfterna som stiftet utsätts för. Stiftet fungerar genom avkänning av



skjuvning och eventuella böjräkningar inom stiftet kommer att försämra dess totala noggrannhet. Passformen för stiftet inom dess monteringshål är viktig för belastningsstiftets övergripande prestationsförmåga. För ett "optimalt" belastningsstift, rekommenderas en g6-tillpassning, dock går det inte alltid att uppnå på fältet och små förluster av repeterbarhet och linjäritet kan normalt tolereras på bekostnad av ett krav på "lätt montering".

Belastningsspänning och stiftets övergripande proportioner tas alltid med i beräkningen vid design av ett nytt stift. Vi strävar alltid efter att optimera prestandan för varje stift (inom dess servicestruktur), beroende på rådande begränsningar. Nyckelfaktorn när det gäller prestandan för ett belastningsstift är att det inte förekommer några förändringar i stiftets geometri, belastningsstruktur eller belastningsförhållanden inom stiftets intervall (0-100 %). Då kan hög prestanda förväntas. Även minimal böjning av strukturen, ändringar i belastningsområden eller böjning av belastningsstiftet (vid hög belastning) kommer att påverka prestandan. Dock är det osannolikt att repeterbarheten påverkas.

需要使用刚性支撑结构将施加到载荷销上的弯曲力降至最小。载荷销的工作原理是感知剪切力，

普通话


载荷销内的任何弯曲应力都会降低其整体精度。载荷销在其配合孔内的配合对于载荷销的整体性能至关重要。对于“最佳”范围的载荷销，通常会推荐 H7/ g6 配合，然而，这不可能总在现场实现，某些轻微的重复性和直线性损失通常可以在牺牲“易于配合”要求的情况下得到容许。

在设计新载荷销时，始终考虑到载荷销的轴承应力和整体比例。我们一直努力针对载荷销上施加的限制努力优化任何载荷销的性能（在其服务结构范围内）。在任何载荷销性能方面的关键考虑事项是，如果在载荷销的整个范围内（0 -100 %）其几何形状、载荷结构或载荷条件均没有改变，则可以预计获得高性能。即使最小的结构弯曲、支撑范围的变化或载荷销的弯曲（如施加高载荷）均对性能产生影响，然而，重复性未必会受到影响。

يتم وجود هيكل دعم صلب للحد من قوة الانحناء المنقولة على الدبوس. يعمل الدبوس من خلال استشعار المقص، وأي شغوط تؤدي للانحناء داخل الدبوس مستقل من دفته بشكل عام. من الضروري تثبيت الدبوس داخل الثقوب المناسبة له من أجل الأداء السليم للدبوس بشكل عام. للحصول على الأداء "الأفضل" للدبوس يلزم وجود H7, G6. ولكن هذا لا يمكن الحصول على ذلك بشكل دائم، وعادة ما يتم التسامح في بعض الأخطاء الطفيفة من التكرار والتخطي على حساب من الحاجة لشيء "سهل التثبيت".


العربية

دائماً ما تُؤخذ الشغوط والنسب العامة للدبوس بعين الاعتبار أثناء تصميم دبابيس جديدة. ونحن نسعى دائماً لتحسين أداء أي دبوس (داخل هيكل خدمته) بالنظر إلى القيود التي تفرضها عليه الأعمال الريسي في أداء أي دبوس. من المهم أن يكون هناك أي تغيير في الشكل الهندسي للدبوس فإن هيكل التثبيت أو ظروف التثبيت في نطاق الدبوس (0-100%) ومن هنا يمكن توقع أداء عالٍ. حتى الانحناءات الطفيفة جداً في الهيكل والتغيرات في مناطق التثبيت أو الانحناء في دبوس التثبيت (إذا تم تحميله بشكل يتوق الحد الأقصى) ستؤثر على الأداء، ولكن التكرار من غير المرجح أن يتأثر.

Straightpoint load pins has a wide variety of configurations made to meet exact requirements of the customer, like load pins with cable gland and cable, load pins with end box and connector, wireless load pins, load pins for the marine environment. 


At no point should the customer try to open or repair any load pins or part of load pins, including the cable gland, without prior consultation with Straightpoint technical advisors.

In addition, Straightpoint factory calibrations are intended to simulate installed conditions, normally calibrated in half or full blocks in a traceable compression test machine. When a load pin is supplied as the sensing member of a shackle, we would normally calibrate the total shackle assembly in tension, however, it is recommended that an in-place calibration be performed to account for any installation, tolerance, and/or alignment influences affecting sensor measurement.

Les axes dynamométriques de Straightpoint disposent d'une grande variété de configurations permettant de répondre aux exigences exactes du client, comme des axes dynamométriques avec presse-étoupes et câbles, des axes dynamométriques avec collecteurs et connecteurs, des axes dynamométriques sans fil, ou des axes dynamométriques pour l'environnement marin. 


Le client ne doit en aucun cas tenter d'ouvrir ou de réparer un axe dynamométrique ou une partie de celui-ci, y compris le presse-étoupe, sans avoir au préalable consulté les conseillers techniques de Straightpoint.

En outre, les étalonnages usine de Straightpoint sont prévus pour simuler les conditions en installation, normalement calibrés dans des blocs complets ou partiels sur une machine de tests de compression traçable. Lorsqu'un axe dynamométrique vous est fourni comme élément de détection d'une manille, nous calibrons généralement l'assemblage complet de la manille en tension, cependant, il est recommandé de procéder à un étalonnage sur place pour rendre compte des éventuelles influences d'installation, de tolérance et/ou d'alignement pouvant affecter les mesures du capteur.

Die Lastmessbolzen von Straightpoint verfügen über vielfältige Konfigurationen, um den präzisen Kundenanforderungen zu entsprechen, z. B. Lastmessbolzen mit Kabeldurchführung und Kabel, Lastmessbolzen mit Endbox und Stecker, drahtlose Lastmessbolzen, Lastmessbolzen für Gebrauch unter Wasser. 


Der Kunde sollte nie versuchen, Lastmessbolzen oder Teile davon, einschließlich der Kabeldurchführung, ohne technische Beratung seitens Straightpoint zu öffnen oder zu reparieren.

Außerdem sollen die Werkseinstellungen von Straightpoint Montagesituationen simulieren und werden in halben oder ganzen Blocks in einer Testmaschine mit logbarem Druck kalibriert. Wenn ein Lastmessbolzen als Erfassungselement eines Schäkels geliefert wird, würden wir normalerweise das gesamte Schäkелеlement unter Spannung kalibrieren; allerdings empfehlen wir eine Vor-Ort-Kalibrierung, bei der jede Montage, Abweichung bzw. Ausrichtungsfaktoren berücksichtigt werden, wodurch die Erfassung/Messung beeinflusst werden kann.

Los pernos de carga de Straightpoint cuentan con una amplia variedad de configuraciones para satisfacer los requisitos específicos de cada cliente, como pernos de carga con prensacable y cable, pernos de carga con caja final y conector, pernos de carga inalámbricos, pernos de carga para entornos marítimos. 


El cliente no deberá, bajo ninguna circunstancia, intentar abrir o reparar los pernos de carga o piezas de los pernos de carga, incluido el prensacable, sin consultar previamente a los asesores técnicos de Straightpoint.

Asimismo, las calibraciones de fábrica de Straightpoint tienen por objetivo reproducir las condiciones de instalación, se calibran normalmente en mitades de bloques o bloques completos en una máquina de prueba de compresión trazable. Cuando el perno de carga se ofrece como elemento sensor de un grillete, normalmente calibramos el conjunto completo del grillete en la tensión; sin embargo, se recomienda realizar una calibración en el lugar a fin de considerar cualquier influencia de las condiciones de instalación, tolerancia y/o alineación que afecten la medición del sensor.

Gli spinotti di carico Straightpoint presentano un'ampia varietà di configurazioni fatte per soddisfare i requisiti esatti del cliente, come spinotti di carico con passacavo e cavo, spinotti di carico con box finale e connettore, spinotti di carico wireless, spinotti di carico per l'ambiente marino. 

In nessun momento l'utente deve cercare di aprire o riparare spinotti di carico o parti di essi, incluso il passacavo, senza la precedente consulenza di tecnici Straightpoint.

Inoltre, le calibrazioni di fabbrica Straightpoint sono intese per condizioni di installazioni simulate, normalmente calibrate in blocchi parziali o interi in una tracciabile macchina per prove di compressione. Quando uno spinotto di carico è fornito come l'elemento di rilevamento di una catena, normalmente calibreremo l'assemblaggio totale della catena in tensione, tuttavia si raccomanda che sia svolta la calibrazione in atto per considerare qualsiasi influenza dovuta a installazione, tolleranza, e/o allineamento che possa avere un impatto sul sensore per la misurazione.

Straightpoint-lastpennen hebben talloze configuraties om exacte te voldoen aan de vereisten van de klant, zoals lastpennen met kabelwartel en kabel, lastpennen met eindafdichting en connector, draadloze lastpennen, lastpennen voor de maritieme omgeving. 

Het is voor de klant nooit toegestaan om lastpennen of delen van lastpennen, met inbegrip van de kabelwartel, proberen te openen of te repareren zonder voorgaand overleg met de technische adviseurs van Straightpoint.

Bovendien zijn de kalibraties in de fabriek van Straightpoint bedoeld om de omstandigheden te simuleren na installatie. Doorgaans worden deze in halve of volledige blokken gekalibreerd in een traceerbare drukproefmachine. Wanneer een lastpen wordt geleverd als detectiegedeelte van een sluiting, zouden we normaler de totale sluitingconstructie onder spanning kalibreren. Het is echter raadzaam om een kalibratie op locatie uit te voeren om rekening te houden met enige installatie-, tolerantie- en/of uitlijningsinvloeden die de sensormeting aantasten.

Разнообразие моделей штифтов измерения нагрузки Straightpoint позволяет найти изделие, точно отвечающее запросам клиента, например штифты с кабельной втулкой и кабелем, штифты с оконечной муфтой и разъемом, беспроводные штифты, штифты для морской промышленности.



Не допускается разборка и ремонт силами клиента штифтов и их компонентов, включая кабельные втулки. Перед выполнением работ обратитесь к техническим консультантам Straightpoint.

Кроме того, заводские настройки Straightpoint обычно соответствуют условиям работы изделия. Калибровка производится половинными или полными блоками в машине для контролируемого испытания на сжатие. Если штифт измерения нагрузки предназначается для использования в качестве датчика вертикали, мы проводим калибровку натяжения всего узла в сборе, однако в таких случаях рекомендуется производить калибровку на месте, чтобы учесть все возможные факторы, влияющие на показания датчика (установка, допуски и/или регулировка).

που ικανοποιούν συγκεκριμένες απαιτήσεις του πελάτη, όπως πείρους φορτίου με στυποθλίπτη καλωδίου και καλώδιο, πείρους φορτίου με κτύπο τερματισμού και συνδετήρα, ασύρματους πείρους φορτίου και πείρους φορτίου για θαλάσσιο περιβάλλον.



Ο πελάτης δεν θα πρέπει ποτέ να ανοίξει ή να επισκευάσει τους πείρους φορτίου ή τμήματα των πείρων φορτίου, συμπεριλαμβανομένου του στυποθλίπτη καλωδίου, χωρίς να έχει συμβουλευτεί εκ των προτέρων τους τεχνικούς συμβούλους της Straightpoint.

Επιπλέον, οι εργοστασιακές βαθμονομήσεις της Straightpoint στοχεύουν στην προσομοίωση των συνθηκών εγκατάστασης, με μια φυσιολογική βαθμονόμηση μισού ή ολόκληρου μπλοκ σε ένα μηχανήμα ανιχνεύσιμων δοκιμών συμπίεσης. Όταν ένας πείρος φορτίου παρέχεται ως το μέρος ανίχνευσης ενός συνδετικού κρίκου, θα βαθμονομούσαμε υπό φυσιολογικές συνθήκες την τάση ολόκληρης της συνδεολογίας κρίκων, ωστόσο, συνιστάται η βαθμονόμηση πεδίου προκειμένου να ληφθούν υπόψη τυχόν επιρροές εγκατάστασης, ανοχής ή/και ευθυγράμμισης που επηρεάζουν τη μέτρηση αισθητήρα.

Straightpoint load pins har et bredt utvalg av konfigurasjoner laget for å møte eksakte krav fra kunden, som load pins med kabeljennomføring og kabel, load pins med terminal boks og konnektor, trådløse load pins, og load pins for det marine miljø.



Ikke i noe tilfelle bør kunden forsøker å åpne eller reparere load pins eller del av load pins, inkludert pakknippen, uten forutgående konsultasjon med Straightpoint's tekniske rådgivere.

I tillegg er Straightpoint's fabrikk kalibreringer ment å simulere installerte betingelser, normalt kalibrert i hel- eller halvblokker i en sporbar kompresjonstestmaskin. Når en load pin tilføres som følerorgan i en sjakkell, ville vi normalt kalibrere den totale sjakkell-sammenstillingen under strekk, det er imidlertid anbefalt at en kalibrering utføres på stedet for å ta hensyn til en hvilken som helst installasjon, toleranse og / eller innretnings påvirkninger som som kan påvirke sensorens måling.

Straightpoint-belastningsstift kan erbjuda flera olika konfigureringar som är anpassade för att uppfylla kundens krav så exakt som möjligt, som belastningsstift med kabelförskruvning och kabel, belastningsstift med sludosa och kopplingsdos, trådlösa belastningsstift eller belastningsstift för marin miljö.



Kunden bör under inga omständigheter försöka öppna eller reparera något belastningsstift eller tillhörande komponenter, inklusive kabelförskruvningen, utan att först rådföras Straightpoints tekniska rådgivare.

Desutom har Straightpoints fabrikkalibreringar för avsikt att simulera installationsförhållandena, som vanligen kalibreras i halva eller hela block i en spårbar kompresjonstestmaskin. När en belastningsstift levereras som sensorkomponent i en bygel, skulle vi normalt kalibrera hela bygelheten under spänning, dock rekommenderas det att en kalibrering utförs på plats för att beakta olika installationsvillkor, tolerans och/eller inställningspåverkan som kan påverka sensorns mätformåga.

对 Straightpoint 载荷销进行了各种各样的配置，以满足客户的具体要求，如带电缆护口和电缆的载荷销、普通话带终端盒和连接器的载荷销、无线载荷销、海洋环境用载荷销。



如果事先未咨询 Straightpoint 技术顾问，在任何情况下，客户均不应该试图打开或维修载荷销或载荷销零件，其中包括电缆护口。

此外，Straightpoint 工厂校准旨在模拟安装后的情况，通常在可追溯压缩试验机中的半个或整个块中校准。当按照钩环的传感件供应载荷销时，我们通常会校准处于拉伸状态下的整个钩环组件，然而，建议进行原地校准，以说明影响传感器测量的任何安装、耐受性和/或对准影响。

دبايس تحميل Straightpoint لديها مجموعة كبيرة من التشكيلات التي تم عملها خصيصا لتلبية المتطلبات الدقيقة للعلاء، مثل دبايس التحميل المزودة بكابل وصمولة لزنق الكابل، و دبايس التحميل المزودة بصندوق نهاية وموصل، ودبايس التحميل الاسلاكية، ودبايس التحميل للبيئة البحرية.



لا يجب تحت أي ظرف أن يحاول العميل فتح أو إصلاح أي من دبايس التحميل أو جزء من دبايس التحميل، بما في ذلك صمولة زنق الكابل دون استشارة مسبقة من المستشارين التقنيين من Straightpoint.

وبالإضافة إلى ذلك، فإن معايير المصنع الخاصة بـ Straightpoint تهدف لمحاكاة ظروف التركيب المتبعة في الكتل الكاملة أو نصف الكتل في آلة اختبار الضغط التي يمكن تتبعها، عندما يعمل دوايس التحميل كعامل استشعار في حلقة الربط، فإننا عادة ما نربط حلقة الربط بإحكام، ولكن يستحسن أن الربط الذي يتم في المكان مع عمل حساب لأي تركيب، أو ثقاوت، و / أو تأثير المحادة التي تؤثر على قياس الاستشعار.

The wireless hand held or USB base station shall be in direct line of sight to the wireless enclosure fitted on the load pin.
If this is not possible due to the onsite interference, Straightpoint can supply signal boosters.
Please refer SW-HHP (SU3479) manual for more details on hand held.



La télécommande sans fil ou la base USB doivent être en contact visuel direct avec le boîtier sans fil fixé sur l'axe dynamométrique.
Si des interférences sur le site rendent ceci impossible, Straightpoint peut vous fournir des amplificateurs de signal.
Veuillez vous référer au manuel SW-HHP (SU3479) pour plus de détails sur les télécommandes.



Das drahtlose Handgerät oder die USB-Basisstation sollte sich in direkter Sichtlinie zur drahtlosen Einfassung am Lastmessbolzen befinden.
Sollte das aufgrund von Interferenzen vor Ort nicht möglich sein, sind Signalverstärker von Straightpoint erhältlich.
Weitere Informationen zum Handgerät finden Sie im Handbuch SW-HHP (SU2479) für weiteren.



La estación base inalámbrica portátil o con conexión USB deberá tener visibilidad directa respecto de la caja inalámbrica colocada en el perno de carga.
Si esto no es posible debido a las interferencias presentes en el lugar, Straightpoint puede brindar amplificadores de señal.
Consulte el manual de SW-HHP (SU3479) para obtener más detalles acerca del dispositivo portátil.



Il wireless portatile o la stazione base USB deve essere in linea di visibilità diretta al contenitore wireless fissato allo spinotto di carico.
Se questo non è possibile a causa dell'interferenza in loco, Straightpoint può fornire ripetitori di segnale.
Si prega di fare riferimento al manuale SW-HHP (SU3479) per maggiori dettagli sul portatile.



Het draadloze handstation of USB-basisstation dient een rechtstreekse vizerlijn te hebben met de draadloze behuizing die op de lastpen is bevestigd.
Indien dit niet mogelijk is vanwege interferentie op locatie, kan Straightpoint signaalversterkers leveren.
Zie de SW-HHP (SU3479) -handleiding voor meer bijzonderheden over handapparatuur.



Беспроводная ручная или USB-базовая станция должна быть в прямой видимости с беспроводной камеры, установленной на штифт нагрузки.
Если это не возможно из-за вмешательства на месте, Straightpoint можем поставить сигнал ускорители.
Пожалуйста, обратитесь SW-HHP (SU3479) руководство для более подробной информации по ручной.



Η ασύρματη συσκευή χειρός ή ο σταθμός βάσης USB θα πρέπει να βρίσκεται σε άμεση οπτική επαφή με το ασύρματο περιβλήμα που έχει προσαθεί στον πέδρο φορτίου.
Εάν αυτό δεν είναι εφικτό λόγω παρεμβολών στο πεδίο, η Straightpoint μπορεί να προμηθεύσει ενισχυτές σήματος.
Ανατρέξτε στο εγχειρίδιο SW-HHP (SU3479) για περισσότερες λεπτομέρειες αναφορικά με τη συσκευή χειρός.



Den trådløse håndholdte eller USB basestasjon skal være i direkte siktlíne til den trådløse innkapslingen monteret på lastepinnen.
Hvis dette ikke er mulig på grunn av interferens, kan Straightpoint levere signal forsterkere.
Vennligst referer til manual SW-HHP (SU3479) for mer informasjon om håndholdte.



Den trådlösa handhållna stationen, eller USB-basstationen ska vara inom direkt synhåll från det trådlösa höljet som är monterat på belastningspinnen.
Om detta inte är möjligt på grund av störningar på installationsplatsen, kan Straightpoint tillhandahålla signalförstärkare.
Var god se SW-HHP (SU3479)-manualen för ytterligare information om handhållna stationer.



无线手持或 USB 基站应该与安装在载荷销上的无线外壳直视可见。
如果由于现场干扰不可能实现，Straightpoint 可以提供信号放大器。
关于手持设备的更多详情，请参阅 SW-HHP (SU3479) 手册。

普通话

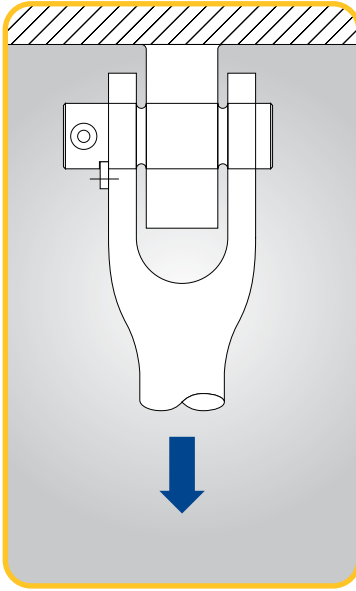
المحطة الأساسية للإسلكية الـ USB يجب أن تكون في خط مباشر من الغلاف الإسلكي المثبت على دبوس التحميل. إذا لم يكن ذلك ممكناً بسبب التداخل في الموقع، يمكن أن توفر Straightpoint التعزيز للإشارة.
يرجى الرجوع إلى دليل SW-HHP (SU3479) لمزيد من التفاصيل حول الحمل باليد.

العربية

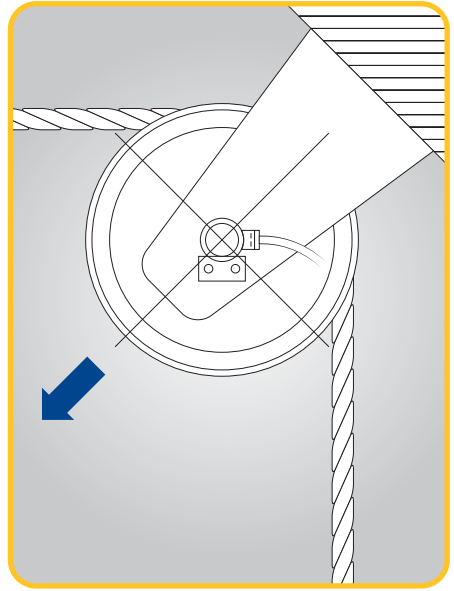
LP typical locations

v1.00
Part No:
SU3511

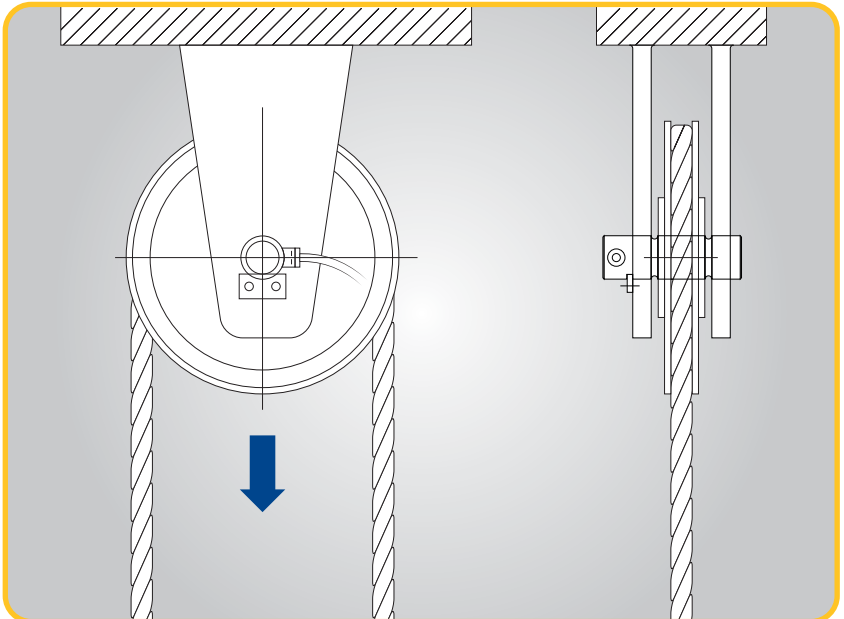
12



1 Fork and Eye



2 Turning Block



3 Rope Sheave

If a pin exists within a defined load path or can be fitted to experience a force, then a Straightpoint Load Pin can be installed to monitor that load.



The sketches opposite show typical locations for load pins; ❶ Fork and Eye, ❷ Turning Block and ❸ Rope Sheave.

S'il y a déjà un axe dans une ligne de charge définie ou si un axe peut être adapté pour subir une force, alors un axe dynamométrique Straightpoint peut être installé pour contrôler cette charge.



Les schémas ci-contre montrent les emplacements typiques des axes dynamométriques ; ❶ Manille, ❷ Poulie de renvoi et ❸ Poulies.

Wenn sich ein Bolzen in einer bestimmten Belastungslinie befindet oder so eingesetzt wird, dass er unter Last steht, dann kann man einen Lastmessbolzen von Straightpoint einbauen, um diese Belastung zu überwachen.



Die Skizze gegenüber zeigt typische Standorte von Lastmessbolzen; ❶ Gabel und Öse, ❷ Wendeblock und ❸ Seilrollachse.

Si hay un perno en una ruta de carga definida o se puede colocar uno para ser sometido a una fuerza, es posible instalar el Load Pin de Straightpoint para monitorizar esa carga.



Los dibujos que se encuentran en la página opuesta muestran ubicaciones típicas para los pernos de carga; ❶ horquilla con ojo, ❷ bloque giratorio y ❸ roldana con cuerda.

Se è presente uno spinotto all'interno di un definito carico o può essere fissato per fare esperimenti sulla forza, allora è possibile installare uno spinotto di carico Straightpoint per monitorare tale carico.



I disegni qui di fronte mostrano i luoghi tipici per gli spinotti di carico; ❶ forcella e occhio, ❷ bozzello e ❸ puleggia.

Als een pen zich binnen een gedefinieerd lastpad bevindt of kan worden bevestigd om een kracht te ondervinden, dan kan een lastpen van Straightpoint worden bevestigd om die last te bewaken.



De illustraties aan de andere kant tonen typische locaties voor lastpennen; ❶ vork en oog, ❷ keerblok en ❸ touwschijf.

Любую шпильку, испытывающую нагрузку в пределах указанного диапазона, можно заменить на штифт измерения нагрузки Straightpoint, который позволит отслеживать прилагаемое усилие.



На рисунках показаны наиболее распространенные способы использования штифтов измерения нагрузки; ❶ Шарнир, ❷ Поворотный блок ❸ Канатный шкив.

Εάν υπάρχει ένας πείρος στην καθορισμένη διαδρομή φορτίου ή εάν μπορεί να προσαρμοστεί ώστε να του ασκηθεί μια δύναμη, τότε είναι δυνατή η εγκατάσταση ενός Πείρου φορτίου Straightpoint για την παρακολούθηση αυτού του φορτίου.



Τα σκίτσα απέναντι παρουσιάζουν τυπικές θέσεις για τους πείρους φορτίου; ❶ Διχάλα και κρίκος, ❷ Μπλοκ στρέψης και ❸ Τροχαλία.

Hvis det finnes en pinne innenfor en definert laste bane eller kan utstyres for å føle en kraft, kan en Straightpoint load pin installeres for å overvåke den lasten.



Skissene ovenfor viser typiske plasseringer for load pins; ❶ Gaffel og øye, ❷ Trinse blokker og ❸ Trinser.

Om ett stift finns inom en definierad belastningsväg eller kan monteras för att utsättas för en belastning, kan ett Straightpoint-belastningsstift installeras för att övervaka denna belastning.



Ritningarna vid sidan om visar typiska placeringar av belastningsstift; ❶ Gaffel och öga, ❷ Vridblock och ❸ Blockskiva.

如果载荷销存在于定义的载荷路径内且能够安装以经受力，则可安装 Straightpoint 载荷销来监测该载荷。对面的草图显示了载荷销的典型位置； ❶ 叉子和孔眼， ❷ 转动块以及 ❸ 索轮。

普通话

في حالة وجود دبوس ضمن مسار حمولة محددة أو يمكن تركيبه لتجريب قوة ما، فإن دبوس تحميل Straightpoint يمكن تركيبه لمراقبة ذلك الحمل. الرسومات المقابلة توضح المواقع النموذجية لدبابيس التحمل. ❶ الشوكة والعين، ❷ دوران المتراس و ❸ حزم الحمل.

العربية

While these devices are sealed to IP67/NEMA6 standards.
The effects of solvent on the device can not be guaranteed, and should therefore be avoided.



Avoid use within 20-30 minutes of rapid changes in temperature, for example moving the device from a cold vehicle into a warm room.
The change in temperature can affect the accuracy of the device. The operating temperature is -10 to +50° C or 14 to 122° F.

Should the display show "OLOAd" remove the load immediately as this indicates an overload situation.
Check that the load applied is within the working load limit of the device. If it continues to display overload, contact your supplier.

Bien que ces appareils soient scellés aux normes IP67/NEMA6, ils ne doivent pas être immergés dans l'eau.
Les effets de solvant sur l'appareil ne peuvent pas être garantis, et doivent donc être évités.



Évitez d'opérer sous 20-30 minutes de brusques changements de température, par exemple de déplacer l'appareil à partir d'un véhicule froid dans une pièce chaude. Le changement de température peut affecter la précision de l'appareil. La température de fonctionnement est de -10 à +50 °C ou de 14 à 122 °F.

Si l'écran affiche « OLOAd », retirez immédiatement la charge, car cela indique une situation de surcharge.
Vérifier que la charge appliquée est dans la limite du dispositif de charge de travail. Si elle continue à afficher une surcharge, contactez votre fournisseur.

Obwohl diese Geräte nach IP67/NEMA6-Normen abgedichtet werden, sollten sie nicht in Wasser getaucht werden.
Es besteht keine Garantie für Lösemittel-Auswirkungen an dem jeweiligen Gerät, daher sollten diese vermieden werden.



Vermeiden Sie die Nutzung innerhalb eines Zeitraumes von 20-30 Minuten, nachdem das Gerät deutliche Temperaturwechsel durchlaufen hat, etwa wenn es von einem kalten Auto in einen warmen Raum gebracht worden ist. Der Temperaturwechsel kann die Genauigkeit des Gerätes beeinflussen. Die Nutzungstemperatur beträgt -10 bis +50° C oder 14 bis 122° F.

Sollte auf der Anzeige „OLOAd“ zu lesen sein, entfernen Sie umgehend die Last, da eine Überbelastungssituation signalisiert wird.
Überprüfen Sie, dass die Belastung innerhalb der Tragfähigkeit des Gerätes. Wenn es um eine Überlastung anzuzeigen weiter, kontaktieren Sie Ihren Lieferanten.

Aunque estos dispositivos siguen los estándares IP67/NEMA6, no deben sumergirse en agua. Las consecuencias de una inmersión no pueden garantizarse y se debe, por tanto, evitar.



Evite su uso en 20-30 minutos en cambios rápido de temperatura, por ejemplo al pasar el dispositivo de un vehículo frío a una habitación caliente. El cambio de temperatura puede afectar a la precisión del dispositivo. La temperatura de funcionamiento es de -10 a +50° C o de 14 a 122° F.

Si aparece en la pantalla "OLOAd", retire la carga inmediatamente ya que hay una sobrecarga.
Compruebe que la carga aplicada está dentro del límite de carga de trabajo del dispositivo. Si se sigue mostrando la sobrecarga, póngase en contacto con su proveedor.

Anche se i presenti dispositivi sono sigillati conformemente agli standard IP67/NEMA6, non dovrebbero essere immersi nell'acqua. Gli effetti del solvente sul dispositivo non possono essere garantiti e quindi dovrebbe essere evitato.



Evitare l'uso entro 20-30 minuti di cambiamenti rapidi di temperatura, per esempio quando si muove il dispositivo da un veicolo freddo in una stanza calda. La variazione della temperatura può influire sull'accuratezza del dispositivo. La temperatura operativa è nell'intervallo da -10 a +50° C o da 14 a 122° F.

Se il display mostra "OLOAd" rimuovere immediatamente il carico perché indica una situazione di sovraccarico.
Verificare che il carico applicato è entro il limite di carico di lavoro del dispositivo. Se si continua a visualizzare sovraccarico, contattare il proprio fornitore.

Hoewel deze apparatuur is verzegeld volgens de IP67/NEMA6 maatstaven, dienen ze niet ondergedompeld te worden in water. De effecten van oplosmiddelen op het toestel kunnen niet worden gegarandeerd en dienen derhalve te worden voorkomen.



Voorkom gebruik binnen 20 – 30 minuten na een snelle temperatuursverandering, bijvoorbeeld door het toestel van een koud voertuig te verplaatsen naar een verwarmde ruimte. De temperatuursverandering kan de nauwkeurigheid van het toestel beïnvloeden. De gebruikstemperatuur is 10 tot +50° C of 14 tot 122° F.

Mocht de display geven "OLOAd" verwijder de last onmiddellijk als dit wijst op een overbelasting.
Controleer of de toegepaste belasting binnen de werklast maximum van de apparatuur. Als het blijft overbelasting geven, neem dan contact op met uw leverancier.

Поскольку устройства имеют уплотнения, соответствующие стандартам IP67/NEMA6, их запрещается опускать в воду. Невозможно гарантировать положительный эффект от воздействия растворителей на устройство, поэтому не следует допускать их контакта.



Не эксплуатируйте устройство в течение 20-30 минут после резкого перепада температур, например, после переноса устройства из холодного автомобиля в теплую комнату. Перепад температур может снизить точность измерений. Диапазон рабочих температур составляет от -10 до +50°C (от 14 до 122°F).

При появлении на дисплее надписи «OLOAd» немедленно снимите нагрузку. Убедитесь, что нагрузка, приложенная находится в пределах рабочей нагрузки устройства. Если так будет продолжаться, чтобы отобразить перегрузку, обратитесь к поставщику.

An kai autés oi suskeués féroun steganopóishē súmfwona me ta prótupta IP67/NEMA6, den tha prétei na buthízontai se veró. H epídrashē dialúthē sthē suskeuē den éinaí egghyménhē kai tha prétei epoménws na apofoúgetai.



Αποφύγετε τη χρήση εντός 20-30 λεπτών γρήγορων μεταβολών θερμοκρασίας, για παράδειγμα, μετακινώντας τη συσκευή από ένα παγωμένο όχημα σε ένα ζεστό δωμάτιο. Η αλλαγή θερμοκρασίας μπορεί να επηρεάσει την ακρίβεια της συσκευής. Η θερμοκρασία λειτουργίας είναι 10 έως +50°C ή 14 έως 122°F.

An emfanisthē ē ένδειξη «OLOAd» sthē oθónh, αφαιρέστε άμεσα το φορτίο, καθώς αυτή υποδεικνύει μία συνθήκη υπερφόρτωσης. Βεβαιωθείτε ότι το φορτίο που εφαρμόζεται είναι εντός του ορίου φορτίου λειτουργίας της συσκευής. Εάν εξακολουθεί να εμφανίζεται υπερφόρτωση, επικοινωνήστε με τον προμηθευτή σας.

Mens dette utstyret er forseglet til IP67/NEMA6 standarder skal de ikke legges i vann. Effektene av løsningsmidler på utstyret kan ikke garanteres og skal derfor unngås.



Unngå bruk innenfor 20-30 minutter med hurtige endringer i temperatur, for eksempel ved å flytte utstyret fra en kald bil til et varmt rom. Endringen i temperatur kan påvirke nøyaktigheten av utstyret. Drifttemperaturen er -10 til +50°C eller 14 til 122°F.

Skulle skjermen vise «OLOAd», fjern lasten umiddelbart, da dette indikerer en overbelastningssituasjon. Kontroller at gjeldende last er innen arbeidsbelastningsgrensen til enheten. Hvis skjermen fortsetter å indikere overbelastning, ta kontakt med forhandleren din.

Eftersom dessa enheter är tätade enligt IP67/NEMA6-standard bör de inte sänkas ner i vatten. Effekterna av lösningsmedel på enheten kan inte garanteras och bör därför undvikas.



Undvik att använda 20-30 minuter efter snabba temperaturförändringar, t.ex. om enheten har flyttats från ett kallt fordon till ett varmt rum. Temperaturförändringar kan påverka enhetens noggrannhet. Drifttemperaturen är 10 till +50°C eller 14 till 122°F.

Avlägsna omedelbart lasten om det står «OLOAd» på skärmen eftersom detta indikerar en överbelastning. Kontrollera att den belastning som anbringas är inom maxlasten av anordningen. Om det fortsätter att visa överbelastning, kontakta din leverantör.

无线测力环是按照 IP67/NEMA6 密封防护级别进行封装制造，因此不应将其浸入水中。目前还无法保证溶剂对设备不产生影响，因此要避免接触此类物质。

普通话

应避免使设备在短时间内（20-30 分钟）经历剧烈的环境温度变化，比如将设备从温度较低的运输车辆内移至温暖的室内环境。环境温度变化会影响计量的准确性。设备的工作温度范围为 -10 到 +50°C（14 到 122°F）。

如果显示屏出现“OLOAd”字样，说明设备已经过载，应立即卸下负荷物。檢查應用負載設備的工作負荷極限內。如果繼續顯示過載，請聯繫您的供應商。

رغم أن هذه الأجهزة محكمة وفقاً لمعايير IP67/NEMA6، إلا أنه يجب عدم غمسها في الماء، تأثيرات المادة الذئبية على الجهاز غير مأمونة ولذا يجب تجنبها.

العربية

تجنب الاستخدام خلال 20 إلى 30 دقيقة من التغيرات السريعة في درجة الحرارة، على سبيل المثال نقل الجهاز من مركبة باردة إلى غرفة دافئة. التغير في درجة الحرارة قد يؤثر على دقة الجهاز. درجة حرارة التشغيل هي -10 إلى +50 سلزيوس أو 14 إلى 122 فهرنهايت.

إذا أظهرت الشاشة «OLOAd» (حمولة زائدة)، أزل الحمولة على الفور لأن هذه الرسالة تشير إلى زيادة الحمل. تأكد من أن الحمل المطبق هو في حدود حمولة عمل الجهاز؛ إذا كان لا يزال لعرضه الزائد، اتصل المورد الخاص بك.

v1.00
Part No:
SU3511

15

Product aftercare

These products are supplied with a certificate of calibration which is valid for one year.

After this date, it is recommended the device is recalibrated by Straightpoint or an approved calibration laboratory.

Contact the Straightpoint service department or your supplier for more information.

In the unlikely event of this device failing, fit new batteries and re-test. Only when this has been done should you contact your supplier to report the fault. When reporting the fault it is important to give a full description of the problem and the type of application the device is being used for.



Ces produits sont livrés avec un certificat d'étalonnage qui est valable pour un an.

Après cette date, il est recommandé de faire un nouvel étalonnage par Straightpoint ou un laboratoire d'étalonnage agréé.

Contactez le service après-vente Straightpoint ou votre fournisseur pour plus d'informations.

Dans le cas peu probable que ce produit tombe en panne, installez de nouvelles piles et testez à nouveau. Ce n'est que lorsque cela a été fait que vous devez contacter votre fournisseur et lui signaler ce défaut. Lors de la déclaration du défaut, il est important de donner une description complète du problème et le type d'application.



Diese Produkte werden mit einem für ein Jahr gültigen Eichzertifikat geliefert.

Es wird empfohlen, dass das Gerät nach Ablauf dieses Zeitraumes durch Straightpoint oder ein zugelassenes Kalibrierlabor nachgecheckt wird.

Nehmen Sie für weitere Informationen Kontakt mit der Straightpoint-Kundendienstabteilung oder Ihrem Lieferanten auf.

Legen Sie für den unwahrscheinlichen Fall des Produktversagens neue Batterien ein und versuchen Sie es erneut. Nur nachdem dies getan worden ist, sollten Sie Kontakt mit Ihrem Lieferanten aufnehmen und den Fehler melden. Dabei ist es wichtig, eine vollständige Problembeschreibung zu liefern und das Anwendungsgebiet zu nennen, für welches das Gerät genutzt wird.



Estos productos se distribuyen con un certificado de calibración que tiene un año de validez.

Tras esta fecha, se recomienda que Straightpoint o un laboratorio de calibración autorizado recalibre el dispositivo.

Póngase en contacto con el Servicio de atención al cliente de Straightpoint o con su distribuidor si desea más información.

En el improbable caso de que el dispositivo no funcione, introduzca pilas nuevas y pruébalo de nuevo. Solo cuando haya hecho esto debe ponerse en contacto con su distribuidor para informar de la anomalía. Cuando la anomalía es importante que dé una descripción completa del problema y del tipo de aplicación que está haciendo del dispositivo.



Questi prodotti sono forniti con un certificato di taratura che è valido per un anno.

Dopo questa data si raccomanda che il dispositivo sia ricalibrato da Straightpoint oppure da un laboratorio di calibrazione approvato.

Contattare il dipartimento assistenza di Straightpoint o il vostro rivenditore per maggiori informazioni.

Nell'eventualità che il dispositivo presenti un guasto, installare nuove batterie e compiere nuovamente il test. Solo quando questo è avvenuto dovreste contattare il vostro rivenditore per riportare il guasto. Nel riportare un guasto è importante fornire una descrizione completa del problema ed il tipo di applicazione per cui è stato usato il dispositivo.



Deze producten worden geleverd met een kalibratiecertificaat, welke geldig is voor één jaar.

Na deze datum wordt aanbevolen om het toestel opnieuw te laten kalibreren door Straightpoint of eengeoedgekeurde kalibratielaboratorium.

Neem voor meer informatie contact op met de serviceafdeling van Straightpoint of uw leverancier.

In het onfortuinlijke geval dat dit toestel defecten vertoont, plaats u nieuwe batterijen en test u opnieuw of het toestel werkt. Alleen wanneer u dit reeds heeft gedaan, dient u contact op te nemen met uw leverancier om het defect te melden. Bij melding van een defect is het belangrijk om een volledige beschrijving van het probleem te geven en het soort toepassing waar het toestel voor wordt gebruikt.



В комплекте с изделием поставляется сертификат калибровки, действующий в течение одного года.

По истечении этого срока рекомендуется провести повторную калибровку устройства силами специалистов компании Straightpoint или специалистов авторизованной калибровочной лаборатории.

Для получения дополнительной информации обратитесь в сервисную службу компании Straightpoint или к поставщику изделия.

В случае сбоя устройства установите новые батареи и проверьте его работоспособность. Только после этого следует обращаться к поставщику с сообщением о поломке. При сообщении о поломке важно предоставить полное описание проблемы и тип работ, для которых применяется устройство.



Αυτά τα προϊόντα παρέχονται με ένα πιστοποιητικό βαθμολόγησης, το οποίο είναι έγκυρο για ένα έτος.

Υστερα από το πέρας αυτής της ημερομηνίας συνιστάται η εκ νέου βαθμολόγηση της συσκευής από τη Straightpoint ή ένα εγκεκριμένο εργαστήριο βαθμολόγησης.

Επικοινωνήστε με το τμήμα σέρβις της Straightpoint ή τον προμηθευτή σας για περισσότερες πληροφορίες.

Στην απίθανη περίπτωση αποτυχίας της συσκευής, τοποθετήστε νέες μπαταρίες και δοκιμάστε πάλι. Μόνο όταν έχετε προβεί σε αυτήν την ενέργεια θα πρέπει να επικοινωνήσετε με τον προμηθευτή σας για αναφορά ασφάλματος. Κατά την αναφορά ασφάλματος είναι σημαντικό να δώσετε μία πλήρη περιγραφή του προβλήματος και του τύπου εφαρμογής χρήσης της συσκευής.



Disse produktene er levert med et sertifikat for kalibrering som er gyldig for et år.

Etter denne datoen er det anbefalt at utstyret er rekalisert av Straightpoint eller et godkjent kalibreringslaboratorium.

Kontakt Straightpoint serviceavdeling eller din leverandør for mer informasjon.

I det usannsynlige tilfellet ditt utstyr svikter, sett i nye batterier og test på nytt. Kun når dette er gjort bør du kontakte din leverandør for å rapportere svikten. Ved rapportering av svikten er det viktig å gi en komplett beskrivelse av problemet og typen applikasjonen utstyret er brukt for.



De här produkterna levereras med ett kalibreringsintyg som är giltigt i ett år.

Efter detta datum rekommenderar vi att enheten omkalibreras av Straightpoint eller ett godkänt kalibreringslaboratorium.

Kontakta Straightpoints serviceavdelning eller din återförsäljare för ytterligare information.

Skulle det osannolika ske och enheten slutar fungera, sätt in nya batterier och försök igen. Endast om detta har gjorts bör du kontakta din återförsäljare och rapportera felet. Vid rapportering av fel är det viktigt att du ger en fullständig beskrivning av problemet och anger vad enheten används för.



产品附带有我们提供的校准证书，有效期为一年。

此有效期截止时，建议由速得得有限公司对设备重新校准，也可由认可的校准实验室进行校准。

要了解详细信息，请联系速得得服务部门或您当地的专业服务提供商。

万一设备功能失效，请装上新电池重新测试。如果更换新电池后仍然失效，再请联系您的服务提供商，反馈设备故障情况。反馈故障情况时，务必详细完整地描述设备出现的问题及设备的具体应用情况。

普通话

العربية

هذه المنتجات مزودة بشهادة معايرة صالحة لمدة سنة.
 بعد هذا التاريخ، يوصى بمعايرة الجهاز بواسطة Straightpoint أو معمل معايرة معتمد.
 اتصل بقسم خدمة Straightpoint أو بالمورد للحصول على مزيد من المعلومات.
 إذا حدث وتعطل الجهاز عن العمل، ركب بطاريات جديدة وأعد الضبط. لا تتصل بالمورد للإبلاغ عن العطل إلا بعد القيام بالخطوة السابقة. من المهم، عند الإبلاغ عن العطل، أن تعطي وصفاً كاملاً للمشكلة ونوع التطبيق الذي يستخدم فيه الجهاز.

Straightpoint (UK) Ltd warranty this product against malfunction for a period of two years from manufacture. Conditions of warranty:



- 1) The equipment is used as described exactly in the operators manual supplied.
- 2) Whilst we make every effort to ensure each device is calibrated before dispatch, Straightpoint (UK) Ltd do not accept responsibility for inaccurate readings indicated by this equipment.
- 3) In the event of malfunction, the device is returned to the manufacturer.
- 4) If we consider any malfunction to be caused by misuse, this warranty is void and any repair will be charged for accordingly.

Straightpoint (UK) Ltd garantit ce produit contre tout dysfonctionnement pour une période de deux ans à compter de la date de fabrication. Conditions de garantie:



- 1) L'équipement est utilisé comme décrit exactement dans le manuel d'utilisation fourni.
- 2) Tandis que nous faisons tous les efforts possibles pour s'assurer que chaque appareil est étalonné avant expédition, Straightpoint (UK) Ltd ne peut être tenue responsable des lectures inexactes indiquées par cet appareil.
- 3) En cas de dysfonctionnement, l'appareil est retourné au fabricant.
- 4) Tout dysfonctionnement causé par une mauvaise utilisation annulera la garantie et la réparation sera facturée en conséquence.

Straightpoint (UK) Ltd deckt dieses Produkt mit einer Garantie von zwei Jahren ab Herstellungsdatum gegen Ausfälle ab. Garantiebedingungen:



- 1) Das Produkt wird exakt so genutzt, wie im gelefertenen Bedienungshandbuch beschrieben.
- 2) Obwohl wir alle Anstrengungen unternehmen, um zu gewährleisten, dass jedes Gerät vor Auslieferung geeicht ist, übernimmt Straightpoint (UK) Ltd keine Verantwortung für ungenaue Werte, die durch das jeweilige Gerät angezeigt werden.
- 3) Im Falle von Störungen ist das Gerät zurück an den Hersteller zu senden.
- 4) Sind wir der Auffassung, dass Störungen durch unsachgemäße Anwendung verursacht worden sind, ist diese Garantie unwirksam und jede Instandsetzung wird entsprechend berechnet.

Straightpoint (UK) Ltd garantiza este producto frente a mal funcionamiento durante dos años desde su fabricación. Condiciones de la garantía:



- 1) El material se utiliza tal y como se describe en el manual de usuario facilitado.
- 2) Dado que hacemos todo lo posible por calibrar el dispositivo antes de que se distribuya, Straightpoint (UK) Ltd no acepta responsabilidad alguna por interpretaciones inexactas de lo indicado en este material.
- 3) En caso de mal funcionamiento, devuelva el dispositivo al fabricante o a la siguiente dirección: Straightpoint (UK) Ltd, Unit 9 Dakota Park, Havant, Hampshire, UK, PO9 2NJ.
- 4) Si consideramos que el mal funcionamiento se debe a un uso inadecuado, se anula la garantía y se cobrará cualquier reparación realizada.

Straightpoint (UK) Ltd garantisce questo prodotto contro il malfunzionamento per un periodo di due anni dalla produzione. Le condizioni della garanzia:



- 1) L'apparecchiatura viene utilizzata esattamente come descritto nel manuale operatori in dotazione.
- 2) Anche se ci impegniamo per assicurarci che ogni dispositivo venga calibrato prima della spedizione, Straightpoint (UK) Ltd non accetta la responsabilità per letture non accurate indicate dalla presente apparecchiatura.
- 3) In caso di malfunzionamento il dispositivo viene restituito al produttore.
- 4) Qualora dovessimo considerare che il malfunzionamento è causato da un uso improprio questa garanzia decade e tutti gli interventi di riparazione verranno addebitati di conseguenza.

Straightpoint (UK) Ltd biedt gedurende een periode van twee jaar vanaf de productiedatum een garantie tegen productfouten. Garantievoorwaarden:



- 1) Het toestel wordt precies gebruikt als beschreven in de gebruikershandleiding als meegeleverd met het product.
- 2) Hoewel we alles in het werk stellen om ervoor te zorgen dat elk apparaat voor verzending is gekalibreerd, aanvaardt Straightpoint (UK) Ltd geen verantwoordelijkheid voor een onjuiste waarde, aangegeven door dit toestel.
- 3) In het geval van defecten wordt het toestel geretourneerd naar de fabrikant.
- 4) Indien we constateren dat het defect wordt veroorzaakt door misbruik, is deze garantie niet van toepassing en zal reparatie van het toestel dienovereenkomstig worden doorberekend aan de gebruiker.

Straightpoint (UK) Ltd дает гарантию исправности изделия на два года, начиная с даты изготовления. Условия предоставления гарантийного обслуживания:



- 1) Оборудование должно использоваться строго в соответствии с описанием, приведенном в настоящем руководстве по эксплуатации.
- 2) Если операторы не соблюдают все условия калибровки, компания Straightpoint (UK) Ltd не несет ответственности за последствия неточных показаний, полученных с помощью данного изделия.
- 3) В случае неисправности изделие должно быть возвращено производителю по адресу: Straightpoint (UK) Ltd, Unit 9 Dakota Park, Havant, Hampshire, UK, PO9 2NJ.
- 4) Если неисправность вызвана ненадлежащей эксплуатацией, производитель снимает с себя гарантийные обязательства, при этом стоимость ремонта изделия подлежит оплате покупателем.

H Straightpoint (UK) Ltd παρέχει εγγύηση μη διαθεσιμότητας του παρόντος προϊόντος για χρονικό διάστημα δύο ετών από την κατασκευή. Συνθήκες εγγύησης:



- 1) Ο εξοπλισμός χρησιμοποιείται όπως περιγράφεται ακριβώς στο παρεχόμενο εγχειρίδιο χειριστή.
- 2) Εάν καταβληθούν κάθε προσπάθεια για τη διασφάλιση της βελτιστοποίησης κάθε συσκευής πριν την αποστολή, η Straightpoint (UK) Ltd δεν αναλαμβάνει καμία ευθύνη για ανακριβείς ενδείξεις που υποδεικνύουν ο εξοπλισμός.
- 3) Στην περίπτωση διαθεσιμότητας, η συσκευή επιστρέφεται στον κατασκευαστή.
- 4) Αν κρίνουμε ότι οποιαδήποτε διαθεσιμότητα οφείλεται σε κακή χρήση, η εγγύηση ακυρώνεται και κάθε επισκευή θα επεξεργαστεί αντίστοιχο χρέωση.

Straightpoint (UK) Ltd garanterer dette produktet mot funksjonsfeil i en periode på to år fra produksjon. Garanti betingelser:



- 1) Utstyret er brukt nøyaktig som beskrevet i brukerveiledningen som er levert.
- 2) Selv om vi forsøker å sikre at hvert utstyr er kalibrert før forsendelse, vil ikke Straightpoint (UK) Ltd påta seg noe ansvar for unøyaktige avlesninger indikert av dette utstyret.
- 3) I tilfelle av maskinsvikt, er utstyret returnert til produsenten.
- 4) Om vi anser at en maskinsvikt er forårsaket av misbruk er denne garantien ugyldiggjort og alle reparasjonskostnader vil bli beregnet i samsvar med dette.

Straightpoint (UK) Ltd lämnar garanti på denna produkt för funktionsfel under en period av två år från tillverkningsdatumet. Garantivillkor:



- 1) Utrustningen används enligt den utförliga beskrivningen i medföljande bruksanvisning.
- 2) Även om vi gör allt vi kan för att se till att varje enhet är kalibrerad före leverans ansvarar Straightpoint (UK) Ltd inte för felaktiga avläsningar som utförs av denna utrustning.
- 3) Vid fel returneras enheten till tillverkaren.
- 4) Om vi anser att ett fel har orsakats av felaktig användning är denna garanti ogiltig och alla reparationer kommer då att debiteras.

Straightpoint (UK) Ltd 保证本产品自生产之后两年内不会发生故障。具体的质保要求如下:

- 1) 设备的使用应严格遵守本使用手册的各项规定。
- 2) 速得 (英国) 有限公司已尽力确保每台设备在发货前都经过校准测试。对于设备显示读数不准确的情况, 速得 (英国) 有限公司不承担任何责任。
- 3) 如果设备发生故障, 请将其退回给制造商。 邮寄地址: Straightpoint (UK) Ltd, Unit 9 Dakota Park, Havant, Hampshire, UK, PO9 2NJ.
- 4) 如果速得认为设备故障是由客户使用不当造成的, 客户方无法享受此质保服务, 速得不承担任何相应的维修费用。

普通话

شركة Straightpoint (UK) Ltd تضمن هذا المنتج ضد العطل لمدة سنتين من التصنيع. شروط الضمان:
1) استخدام الجهاز بنفس الطريقة المبينة في دليل التشغيل.
2) إن كان المورد الموثقة لضمان معايرة كل جهاز قبل شحنه, فإننا لا نقبل أي مسؤولية في أي أزمات تحدث نتيجة لهذا المعادة.
3) في حالة تعطل الجهاز, يُرجن إعادته إلى المُصنِّع.
4) إذا كنا نعتقد أن العطل ناتجاً عن سوء الاستخدام, يصبح هذا الضمان لاغياً وبناءً عليه سيتم فرض رسوم على التصليح.
Straightpoint (UK) Ltd, Unit 9Dakota Park, Havant, Hampshire, UK, PO9 2NJ

العربية

v1.00
Part No:
SU3511

17

Distributor Stamp

