

# Load Monitoring Systems for overhead crane applications

All items in stock



Unit 9, Dakota Park, Downley Road, Havant, Hampshire, PO9 2NJ UK · Tel: +44 (0)2392 484491  
2801 Dawson Road, Tulsa, OK 74110 · USA · Tel: +1 (918) 834-4611

[www.straightpoint.com](http://www.straightpoint.com) · [sales@straightpoint.com](mailto:sales@straightpoint.com)  
[thecrosbygroup.com](http://thecrosbygroup.com)

[in](#) [f](#) [t](#) #knowtheload

Part No: SU6412 - 2789526

## Overhead Crane Load Monitoring



[straightpoint.com](http://straightpoint.com)

[in](#) [f](#) [t](#) #knowtheload



# Crosby|SP supply load monitoring solutions for the overhead crane weighing industry

Crosby|SP is a trusted manufacturer of force measurement, load monitoring and suspended weighing load cell equipment.

They provide everything you require to ensure safe and successful load monitoring on overhead crane weighing projects as well as proof testing for maintenance and repairs.

Crosby|SP products have been put through rigorous testing regimes and meet the high standards of many globally recognised industry bodies such as ASME, DNV-GL type approval.

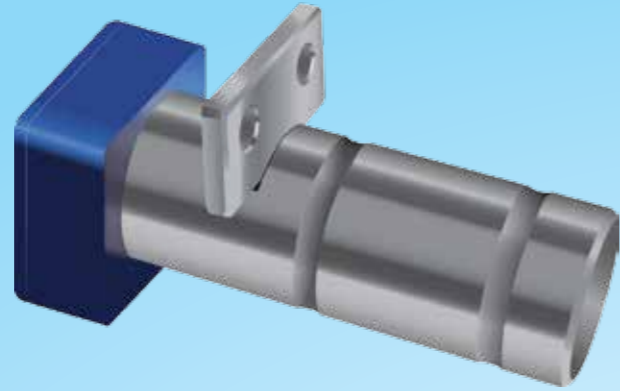
Developed to be used with a wide range of industry-standard lifting shackles and equipment, in-stock up to 500t and can supply over 1000t with Bluetooth options available.

Overhead cranes can be protected by load proof testing upon installation and after any maintenance to ensure safety.

Monitoring the load during the lift can avoid damage by excessive overloads, causing injury and costly repair for replacements.

Crosby|SP is dedicated to making the overhead crane industry a safer place.

**Crosby|SP provide all that you need to prevent overhead cranes exceeding their maximum working load limit, (W.L.L.), before and during a lift. They have the right tools to efficiently perform overhead crane tests.**



**Custom Wireless Loadpin**



**Radiolink plus**



**Wireless Loadshackle**



**Overload Alarm**



**SW-HHP Handheld**



**INSIGHT Software**



**Wireless Slave Display**

## Custom Wireless Loadpin

Ideal for measuring tension in the equalising sheave used to equalise the tension in opposite parts of the rope as it rotates when the block is lifted or lowered. The pin can be calibrated to reflect the actual weight on the hook despite its mechanical advantage.

## Radiolink plus

A wireless load cell rigged below the hook to monitor loads and prevent overload. Available as standard with a Handheld plus, optional connection to INSIGHT software, and/or SW-OAM.

## Wireless Loadshackle

This wireless load cell is ideal where headroom is an issue or a pin is not achievable or desired. Can connect to an SW-HHP wireless handheld or INSIGHT software.

## Overload Alarm

The SW-OAM is a wireless relay module featuring audio and visual warning indicators. The units two set point alarms can be triggered from a single or summed group of up to eight Crosby | SP wireless load cells. It is ideal as a wireless overload detection system for overhead cranes. The OAM, when installed by a professional, can stop the "up" function of a crane, allowing the load to be safely set down but not lifted thus preventing any overload event.

## INSIGHT software

INSIGHT, a software solution that can connect up to over 126 load cells simultaneously. More importantly, it has a Proof Test module for real-time testing and auto-generated test certificate. Additionally, a multi-channel display and data logging mode – view and log load data from connected load cells plus totals loads live on screen.

## Wireless Slave Display

SW-D boasts a 100mm (4") scoreboard with LED display and viewable for up to 150ft. Perfect for installation on a crane gantry. The unit operates on 110-240 VAC and displays an individual load or summed load for up to eight Crosby | SP Wireless load cells.