

## Load Pin Questionnaire

Most loadpins are specially designed to fit a specific application or installation. To enable us to offer you the best solution we have devised this questionnaire so that you can provide us with the most important information for either quotation or design purposes.

Please complete each of the sections below:

1. Max Loadpin WLL: \_\_\_\_\_ tonne

2. If there is any mechanical advantage, state the displayed value against the WLL above: \_\_\_\_\_ tonne

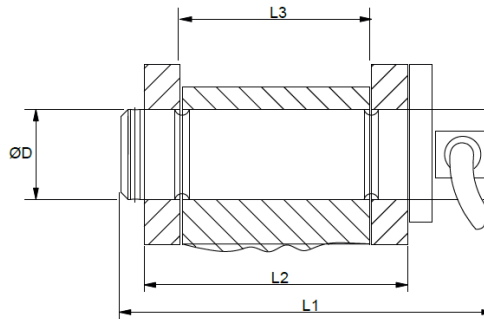
3. Loadpin dimensions:

∅D = \_\_\_\_\_ mm

L1 = \_\_\_\_\_ mm

L2 = \_\_\_\_\_ mm

L3 = \_\_\_\_\_ mm



4. Loadpin locking method (please select appropriate box):



Single Keeper Plate



Double Keeper Plate



Double Keeper Plate 2



Anti-Rotation Bracket Slit Pin & Nut



Anti-Rotation Bracket, Split Pin & Washer

4a. Crosby Straightpoint to provide keeper plate(s)?

Yes

No

5. Loadpin Signal Output:    Wireless            Cabled

6. Should the Keeper Plate or Anti-Rotation Bracket be on the same end of the Loadpin as the Cable or Wireless enclosure/ Outlet Gland or Connector:

Yes

No

### Re Question 5, If Cabled:

6a. mV/V            4-20mA            0-20mA            0-5V            0-10V            ± 10V

6b. If 4-20mA or 0-20mA:    2 Wire            3 Wire

6c. Cable length (metres):

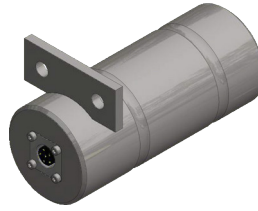
6d. Loadpin cable/connector arrangement (please select appropriate box):



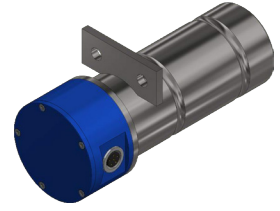
**Axial Gland**



**Radial Gland**



**Axial Connector**



**Radial Connector**

6e. **If Wireless:** 2.4GHz (700m/2300feet)

Bluetooth (100m/328feet)\*

\* For use with iPhone and Android free to use HHP App

6f. **If Wireless:** Battery operation(standard)

Adapted for fixed DC power input:

6g. **If fixed DC:**

6h. Provide your own DC Voltage (12-24VDC)

With Straightpoint AC/DC Adaptor (standard)

7. Environmental protection IP/NEMA rating:

8. To be used in a hazardous explosive gas environment? Yes\* No Zones 0,1, or 2?

**\* Note if hazardous area application is selected then the loadpin MUST be wireless**

9. Brief application description; please attach any relevant drawings and/or photographs:

10. Sub-sea? Yes No

10a. **If No:** For use in a corrosive marine environment (may demand extra S/S components) Yes No

10b. **If Sub-sea:**

10c. Sub-sea depth (metres):

10d. Duration of immersion (days):

11. Instrumentation required? Yes: No:

11a. **If Yes:**

Handheld:



Small panel mount:



Large display:

11b. **If panel mount**, which power supply is required? AC(95-265VAC) DC(11-30VDC)

11c. **If large remote**, is a remote tare switch function required? Yes No

11d. If yes, what cable length is required (metres)?

12. Quantity required (pieces)?

Please submit your completed questionnaire

For any further enquiries - email: [sales.sp@thecrosbygroup.com](mailto:sales.sp@thecrosbygroup.com)

**SUBMIT**